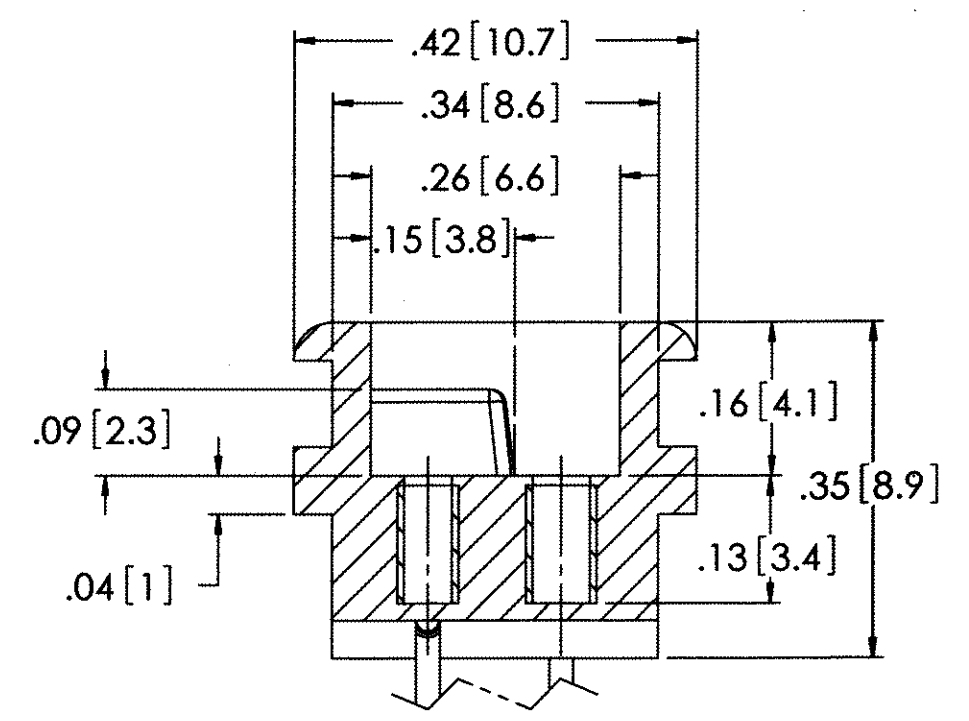
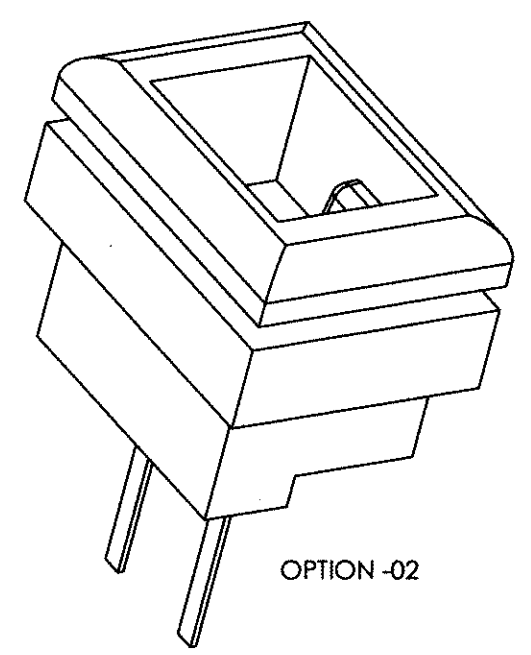
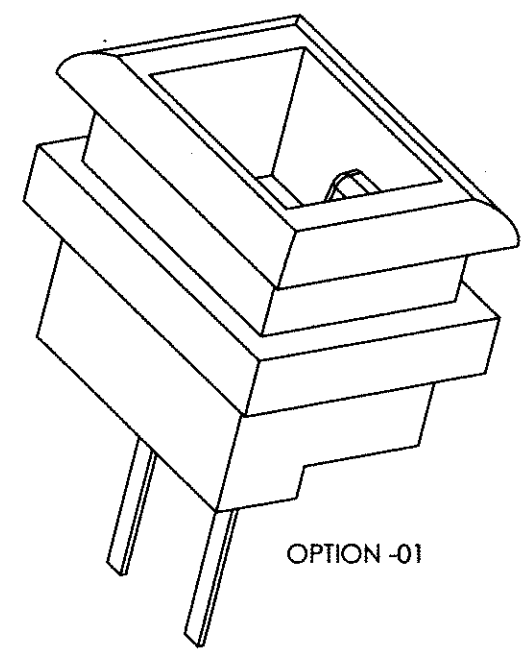
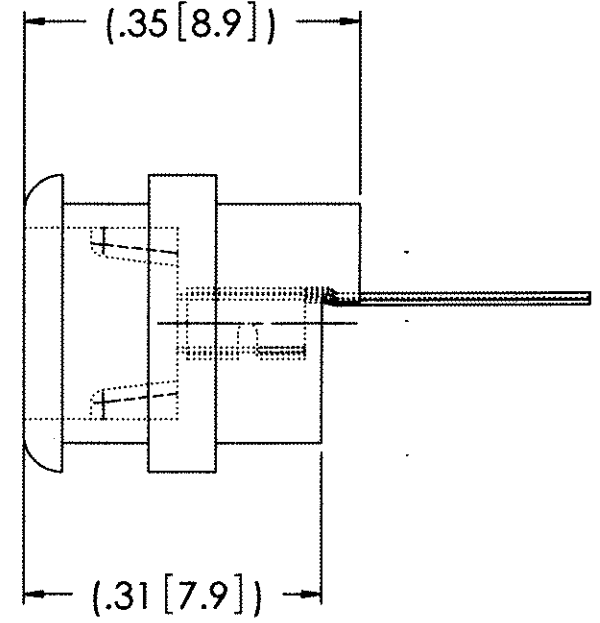
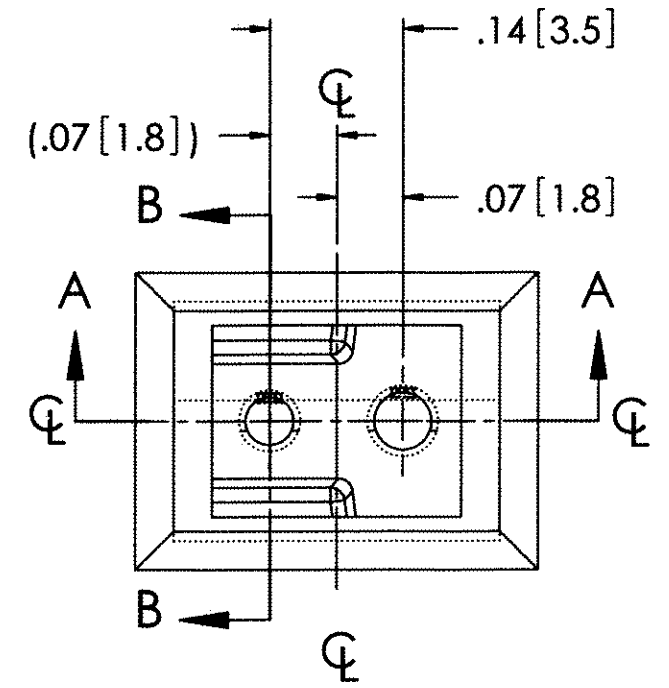
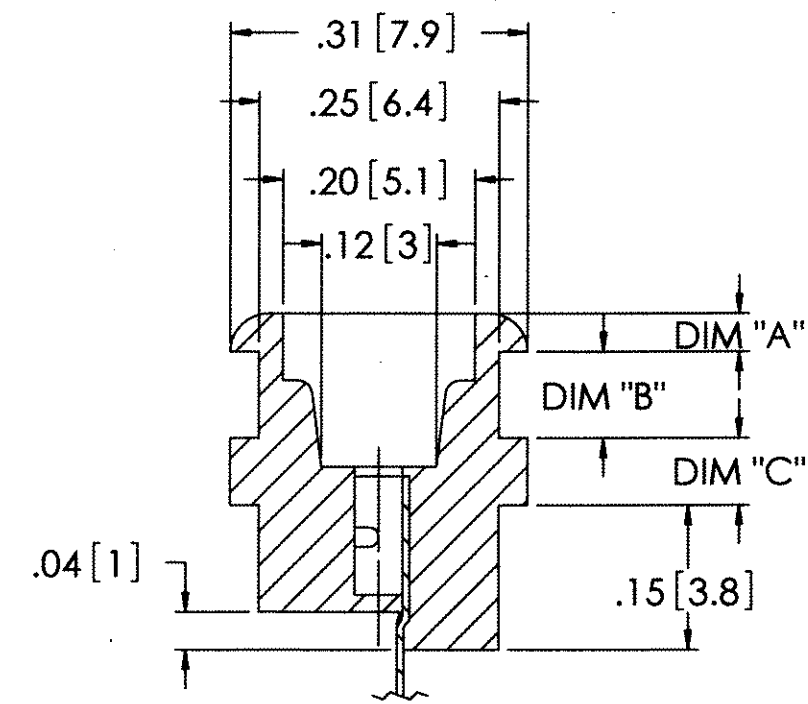


REVISIONS			
REV	DESCRIPTION	DATE	APP'VD
A	RELEASE PER ECO 18607 TAS 8/27/12	9-18-12	TAS



SECTION A-A
SCALE 5:1



SECTION B-B
SCALE 5:1

	OPTION -01	OPTION -02
DIM "A"	.04 [1.0]	.07 [1.8]
DIM "B"	.09 [2.3]	.03 [.8]
DIM "C"	.07 [1.8]	.10 [2.5]

TOLERANCES UNLESS OTHERWISE SPECIFIED ALL DIMENSIONS IN INCHES DIMENSIONS IN [] METRIC	APPROVALS DRAWN T STUMP	DATE 8/27/12	PlasticsOne <i>Medical Design and Manufacture</i> 6591 MERRIMAN ROAD, S.W., ROANOKE, VA, 24018 PHONE: 540-772-7950 FAX: 540-989-7519
	FRACTIONAL ±1/64 DECIMAL .00 ±.01 [.25mm] .000 ±.005 [.127mm]	CHECKED PROJECT ENGR	
ANGULAR ±.5°	APPROVED PROJECT	SCALE 5:1	TITLE JACK, SHOULDER MOUNT, 2 PIN, 1 @ .052, 1 @ .062
THIS DRAWING CONTAINS CONFIDENTIAL AND PROPRIETARY INFORMATION AND MAY NOT BE ISSUED OR REPRODUCED, IN WHOLE, OR IN PART, WITHOUT THE EXPRESS WRITTEN PERMISSION OF PLASTICS ONE INC.		SIZE DWG C	REV A SHT 1 OF 1

