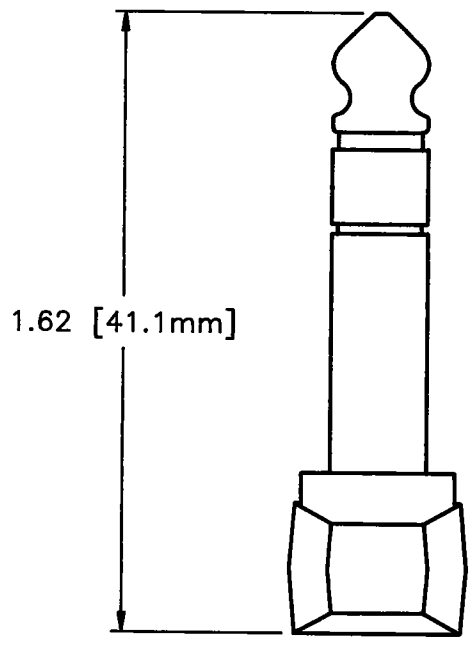
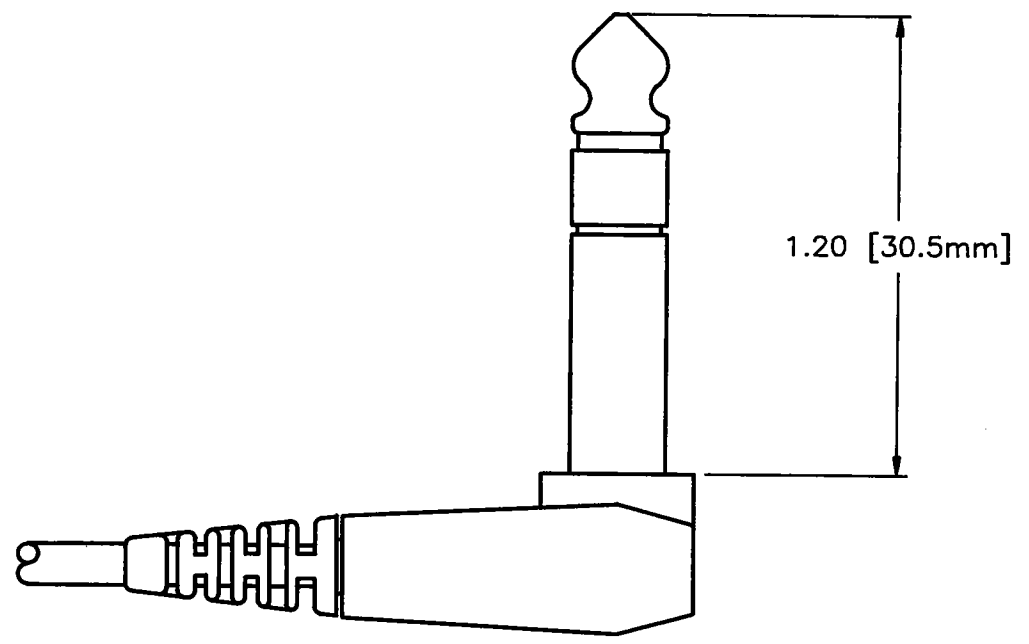
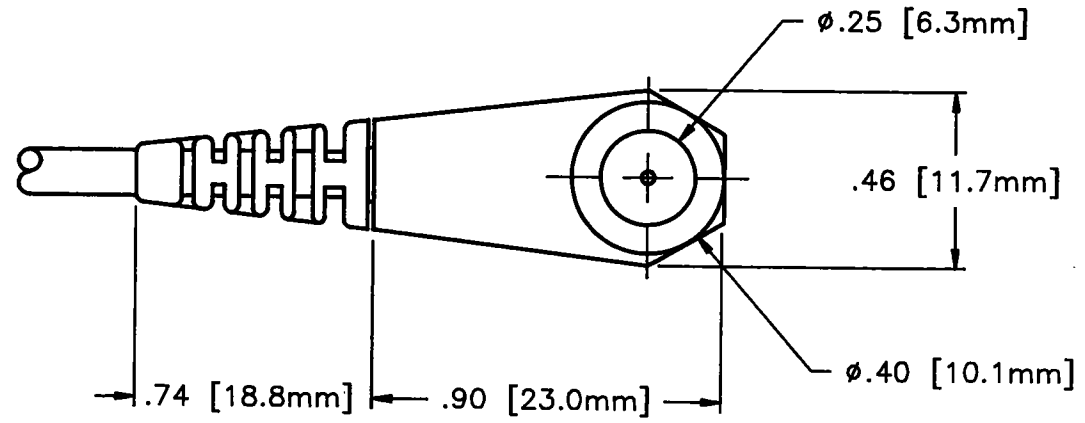


THIS DRAWING CONTAINS PROPRIETARY INFORMATION AND MAY NOT BE ISSUED OR REPRODUCED, IN WHOLE OR IN PART, WITHOUT EXPRESS WRITTEN PERMISSION OF PLASTICS ONE INC



TOLERANCES UNLESS OTHERWISE SPECIFIED ALL DIMENSIONS IN INCHES DIMENSIONS IN [] METRIC		APPROVALS DRAWN SINCLAIR	DATE 11/20/86	 6591 MERRIMAN ROAD, S.W., ROANOKE, VA, 24018 PHONE: 703-772-7950 FAX: 703-989-7915
FRACTIONAL $\pm 1/64$		CHECKED		
DECIMAL $.00 \pm .01$ [.25mm] $.000 \pm .005$ [.127mm]		PROJ ENGR		
ANGULAR $\pm .5^\circ$		APPROVED <i>LL</i>	1/20/94	
		PROJECT	FSCM	TITLE PLUG, 219
				ICN SCALE 2-1
				SIZE B 2214-50
				REV A
				SHT 1 OF 1

A	REV PER ECO 324	6/21/93	WSC	1/20/94	<i>LL</i>
REV.	DESCRIPTION	DATE	BY		

THIS DRAWING CONTAINS PROPRIETARY INFORMATION AND MAY NOT BE ISSUED OR REPRODUCED, IN WHOLE OR IN PART, WITHOUT EXPRESS WRITTEN PERMISSION OF PLASTICS ONE INC