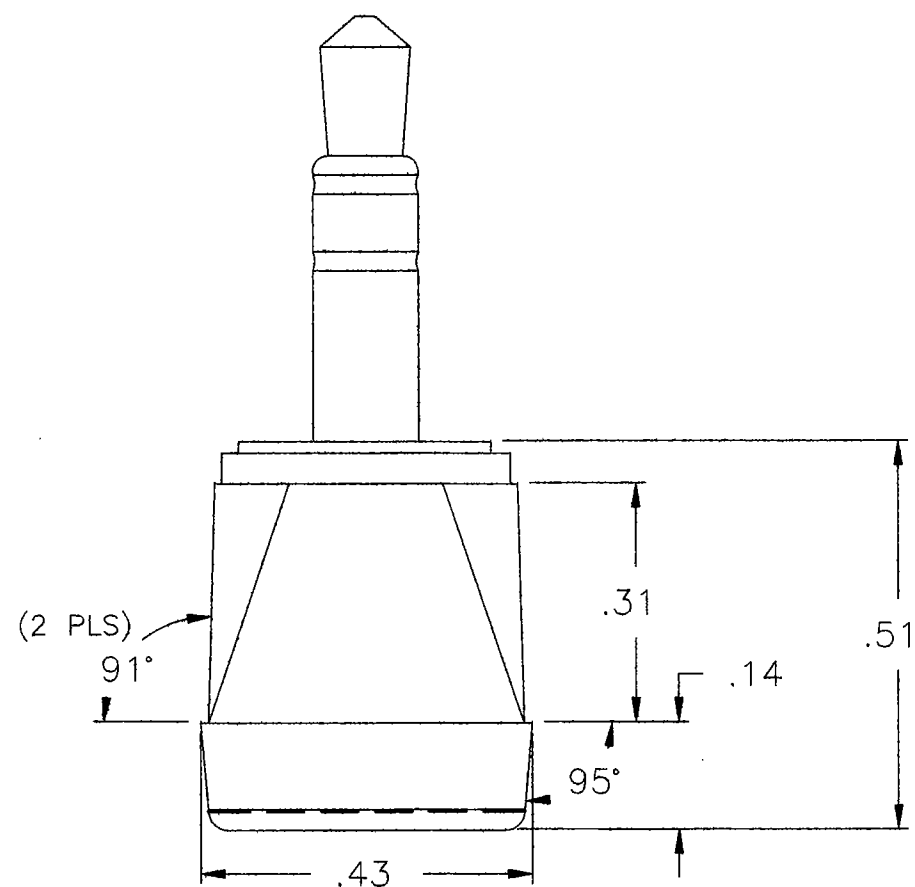
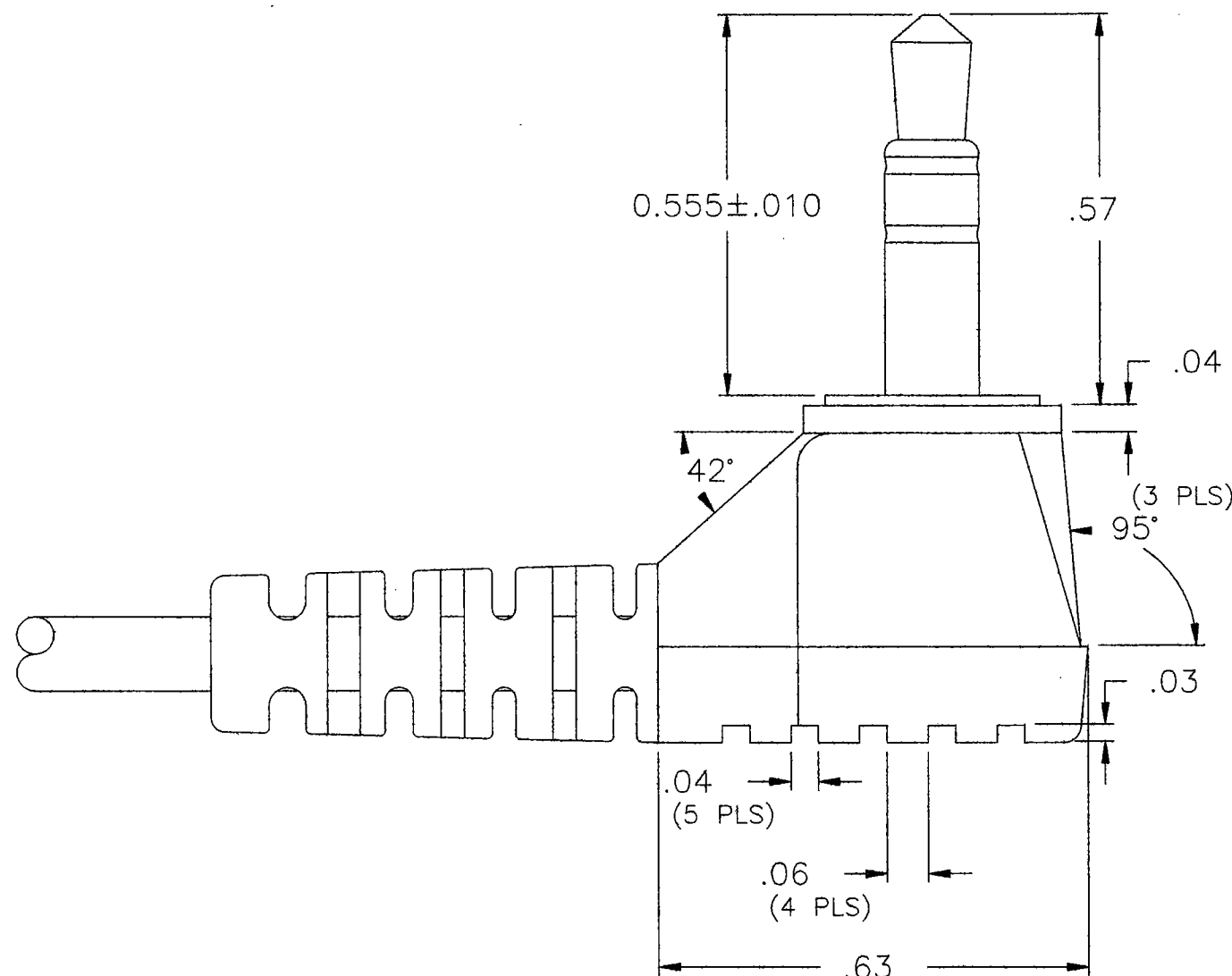


THIS DRAWING CONTAINS PROPRIETARY INFORMATION AND MAY NOT BE ISSUED OR REPRODUCED, IN WHOLE OR IN PART, WITHOUT EXPRESS WRITTEN PERMISSION OF PLASTICS ONE INC



REV.	DESCRIPTION	DATE	BY
D	REV PER ECO 5903 JS 9/27/01	10-12-01	DmB.
C	REV PER ECO 949 SJ 12/14/94	12-14-94	LL
B	TO ACAD PER ECO 451 12/23/93 WSC	12-9-93	LL
A	REDRAWN	4-21-87	

TOLERANCES	APPROVALS	DATE
UNLESS OTHERWISE SPECIFIED ALL DIMENSIONS IN INCHES DIMENSIONS IN [ ] METRIC	DRAWN SINCLAIR	4-08-87
FRACTIONAL $\pm 1/64$	CHECKED <i>K. Spauldy</i>	10/2/01
DECIMAL .00 $\pm$ .01 [.25mm] .000 $\pm$ .005 [.127mm]	PROJ ENGR	
ANGULAR $\pm .5^\circ$	APPROVED <i>K. Spauldy</i>	10/2/01
	PROJECT	FSCM

Plastics ONE			
6591 MERRIMAN ROAD, S.W., ROANOKE, VA, 24018 PHONE: 703-772-7950 FAX: 703-989-7915			
TITLE PLUG, 224			
ICN	SCALE 4 - 1		
SIZE DWG	REV	SHT	
B 2226-50	D	OF 1	

D  
C  
B  
A