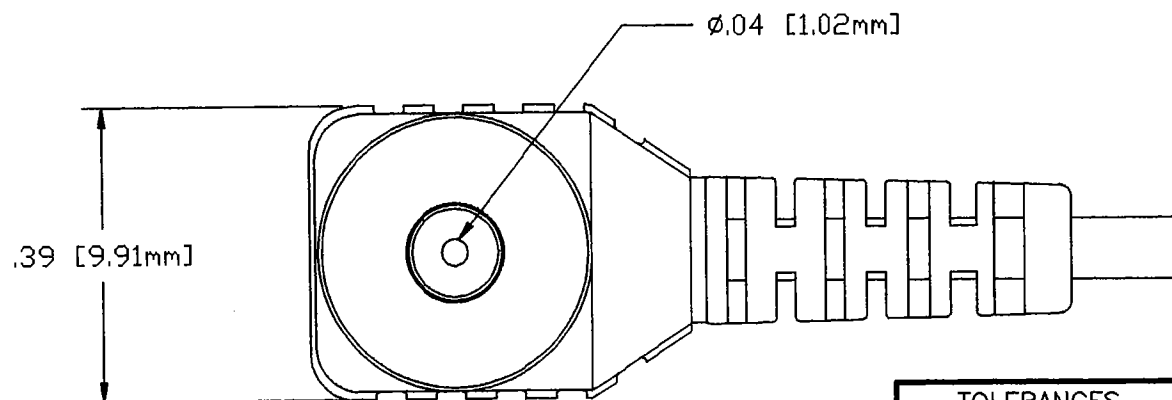
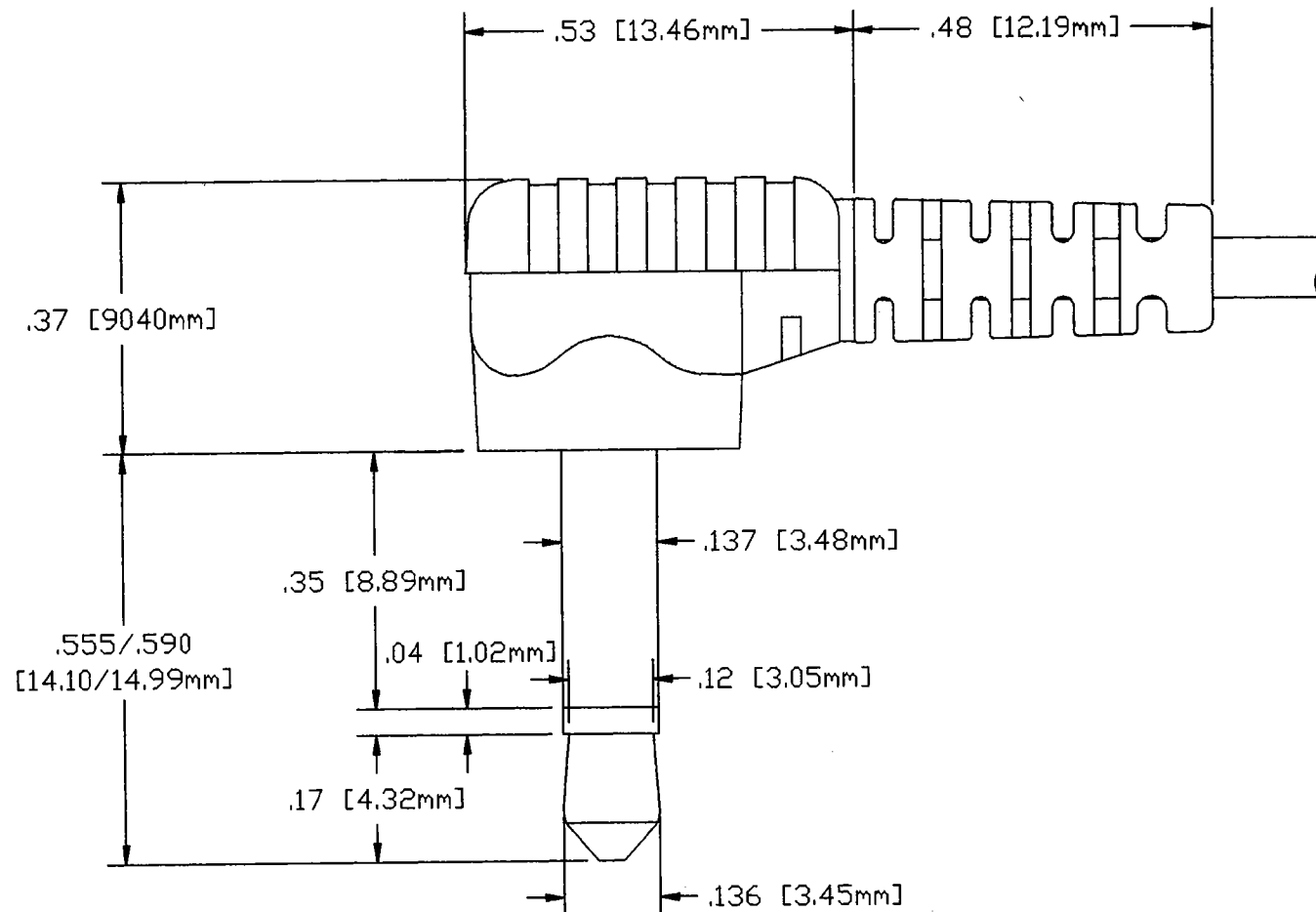
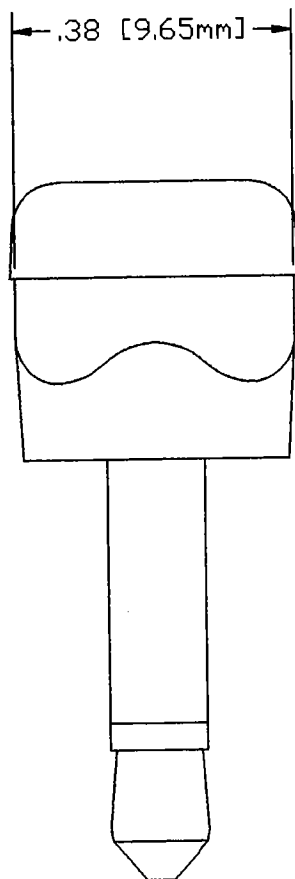


THIS DRAWING CONTAINS PROPRIETARY INFORMATION AND MAY NOT BE ISSUED OR REPRODUCED, IN WHOLE OR IN PART, WITHOUT EXPRESS WRITTEN PERMISSION OF PLASTICS ONE INC



TOLERANCES UNLESS OTHERWISE SPECIFIED ALL DIMENSIONS IN INCHES DIMENSIONS IN [] METRIC	APPROVALS	DATE	Plastics ONE HOLDING THE FUTURE 6591 MERRIMAN ROAD, S.W., ROANOKE, VA, 24018 PHONE: 540-772-7950 FAX: 540-989-7519
	DRAWN JAMISON	2/16/95	
FRACTIONAL ±1/64	CHECKED <i>Jamison</i>	8/19/96	TITLE PLUG, 242
DECIMAL .00 ±.01 [.25mm] .000 ±.005 [.127mm]	PROJ ENGR		SCALE 4:1
ANGULAR ±.5°	APPROVED Larson	3/1/95	SIZE DWG B 37001-50
	PROJECT	FSCM	REV B SHT 1 OF 1

B	REV PER ECO 2142 SJ 8/15/96	8/28/96	KG
A	REL PER ECO 989 SJ 2/16/95	3/1/95	Larson
REV.	DESCRIPTION	APPROVAL DATE	APPROVED BY