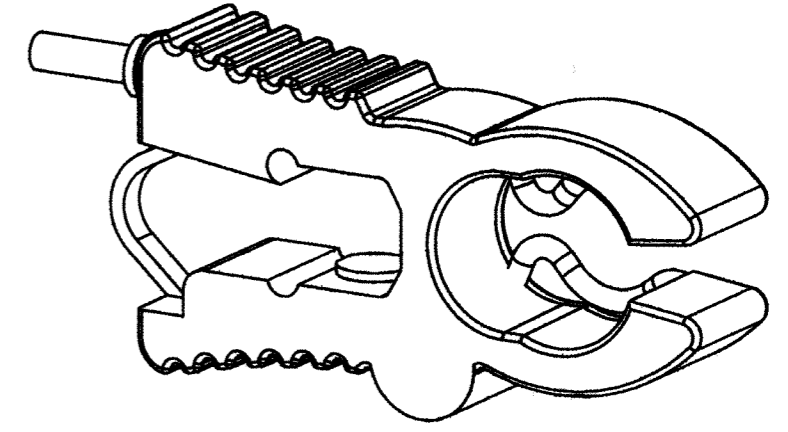
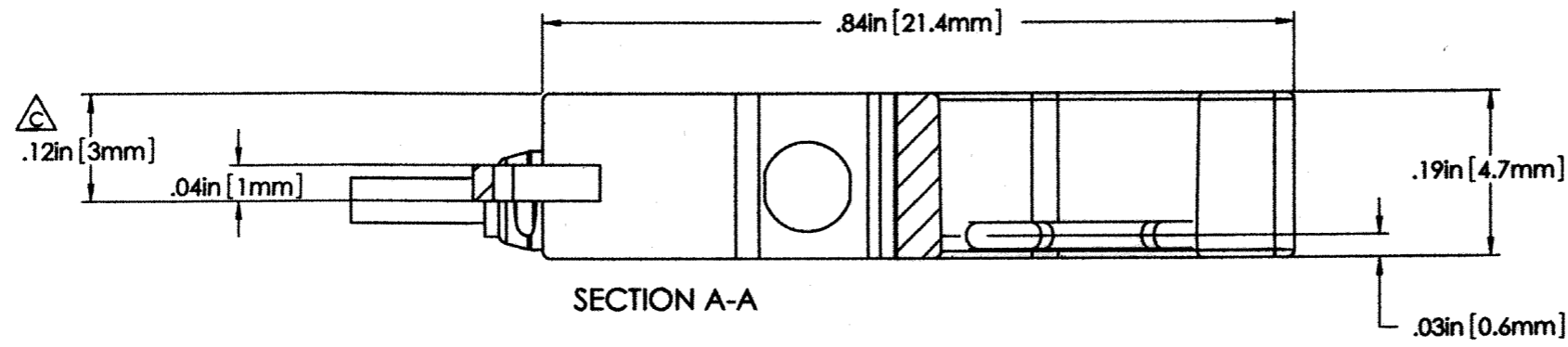
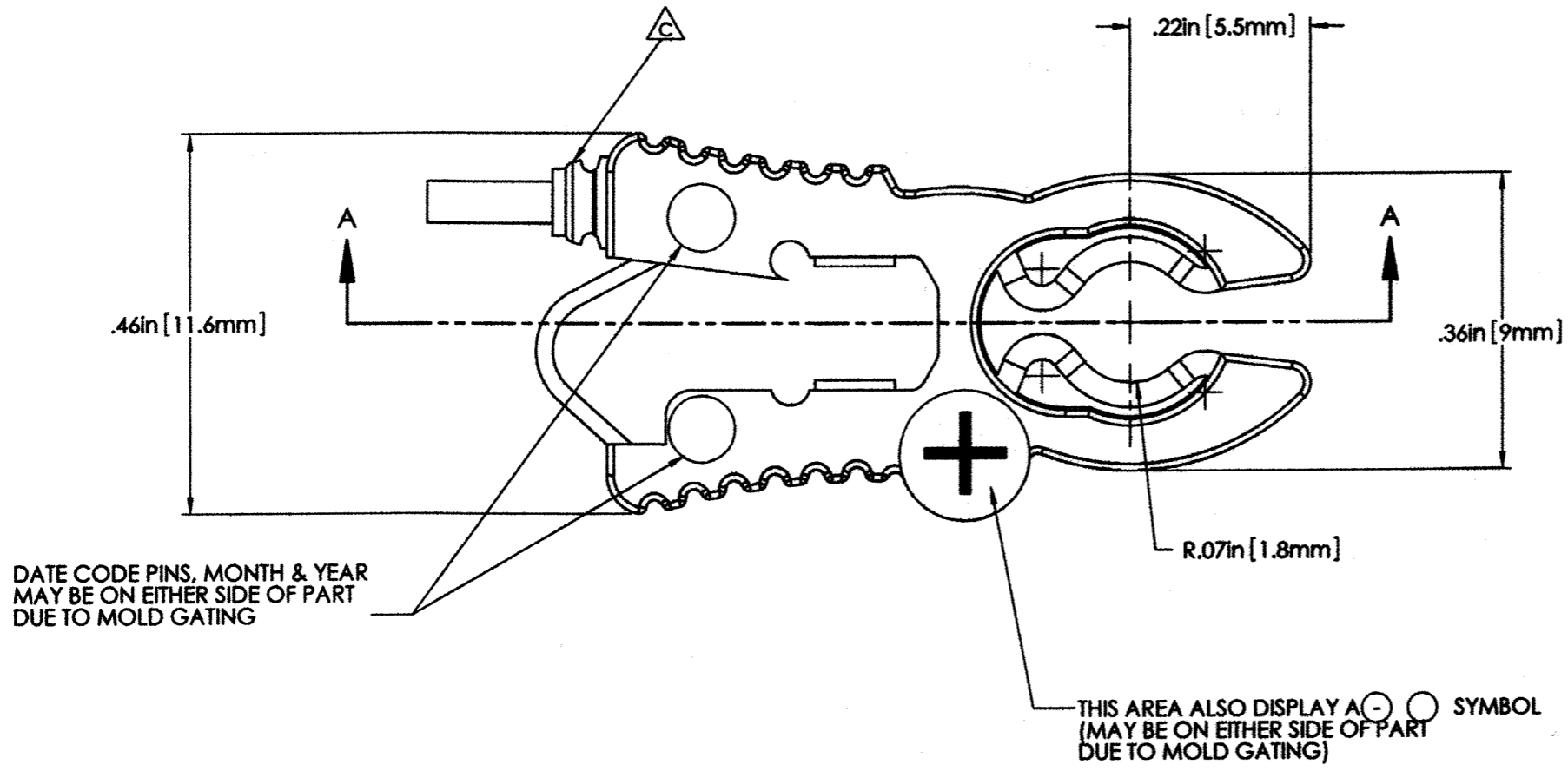


4

3

2

1



THIS DRAWING CONTAINS CONFIDENTIAL AND PROPRIETARY INFORMATION AND MAY NOT BE ISSUED OR REPRODUCED, IN WHOLE, OR IN PART, WITHOUT THE EXPRESS WRITTEN PERMISSION OF PLASTICS ONE INC.

REV	DESCRIPTION	DATE	BY
C	REV PER ECO 14441 /BB 10/13/10 & REDRAWN IN SOLIDWORKS	4/24/10	RLK
B	REVISE PER ECO 4314 GSOX 6/9/99	8/25/99	GS
A	RELEASE PER ECO 00515 RS 8/5/94	8/12/94	LL
REVISIONS			

<b>TOLERANCES</b> UNLESS OTHERWISE SPECIFIED ALL DIMENSIONS IN INCHES DIMENSIONS IN [ ] METRIC		<b>APPROVALS</b> DRAWN STCLAIR	<b>DATE</b> 4/23/84	<b>PlasticsOne</b> <b>Medical Design and Manufacture</b> 6591 MERRIMAN ROAD, S.W., ROANOKE, VA, 24018 PHONE: 540-772-7950 FAX: 540-989-7519
<b>FRACTIONAL</b> $\pm 1/64$	<b>CHECKED</b> <i>[Signature]</i>	<b>PROJ ENGR</b> 10/18/10	<b>TITLE</b> CLIP, 273 ELECTRODE	
<b>DECIMAL</b> .00 $\pm$ .01 [.25mm] .000 $\pm$ .005 [.127mm]	<b>APPROVED</b> <i>[Signature]</i>	<b>DATE</b> 10/20/10	<b>SCALE</b> 5:1	<b>SIZE</b> B
<b>ANGULAR</b> $\pm .5^\circ$	<b>PROJECT</b> 1373	<b>FSCM</b>	<b>DWG</b> 2060-50	<b>REV</b> C
				<b>SHT</b> 1 OF 1