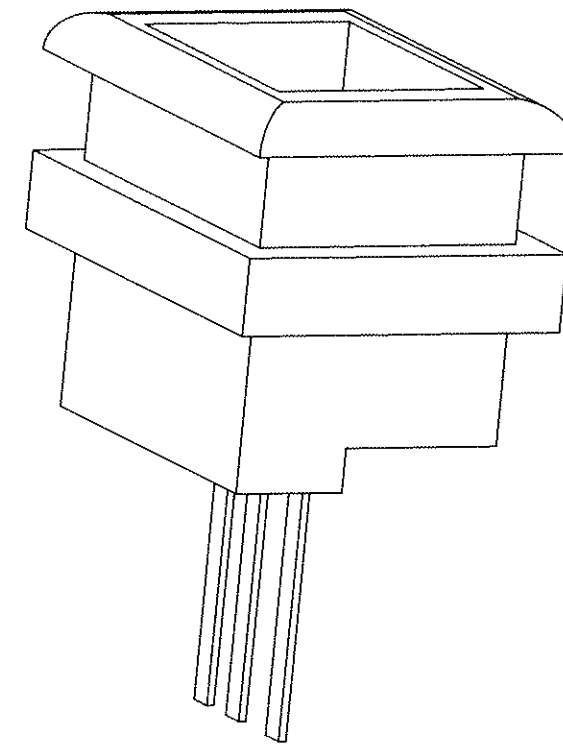
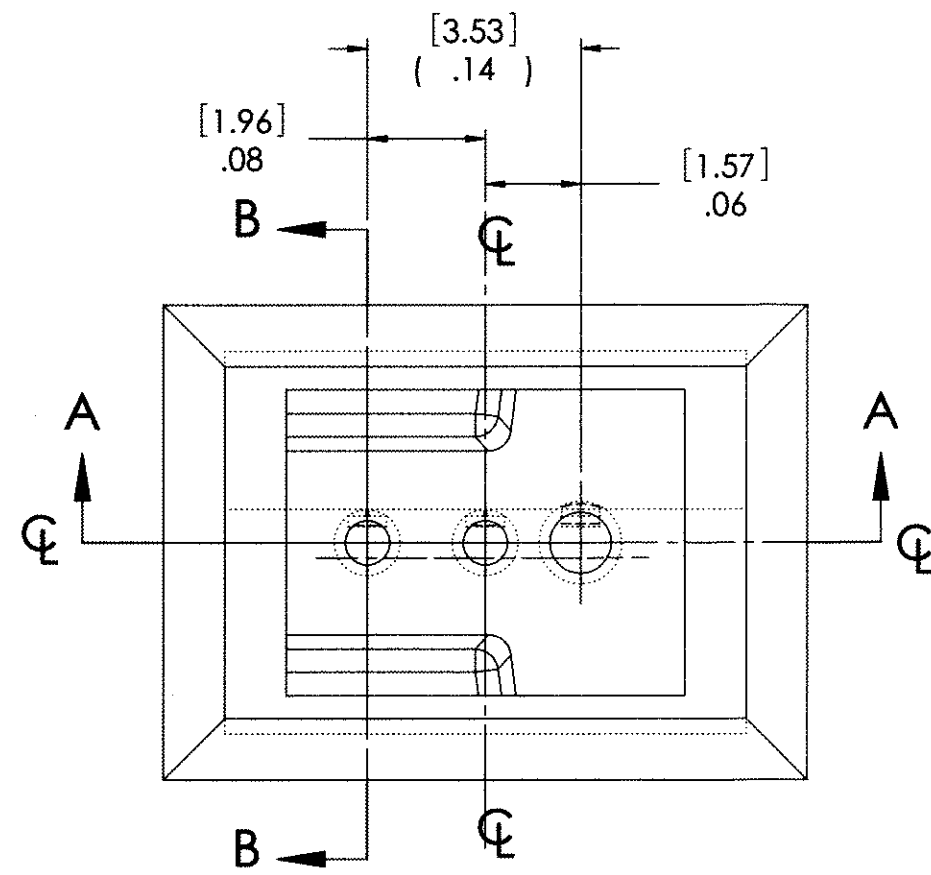
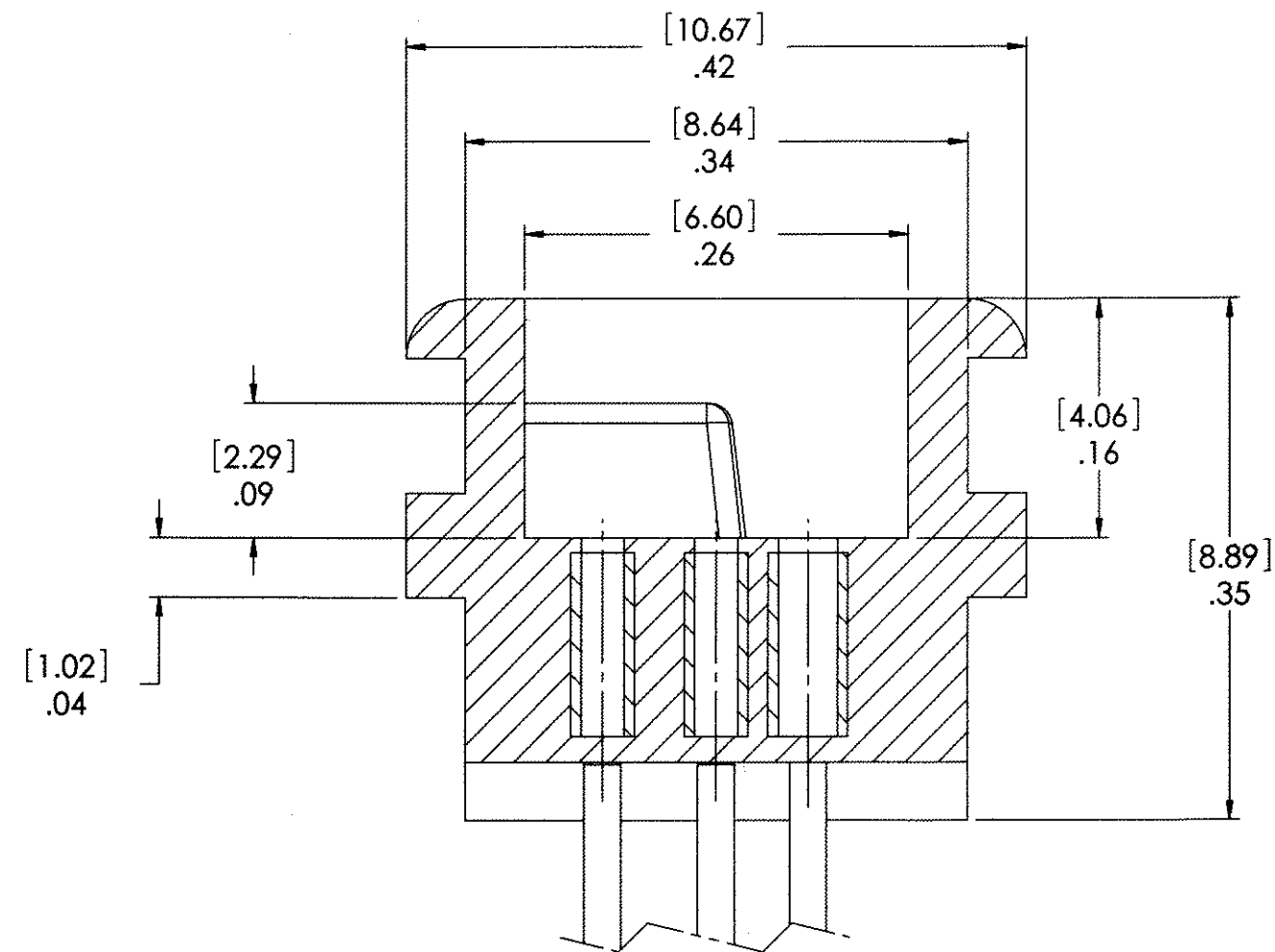
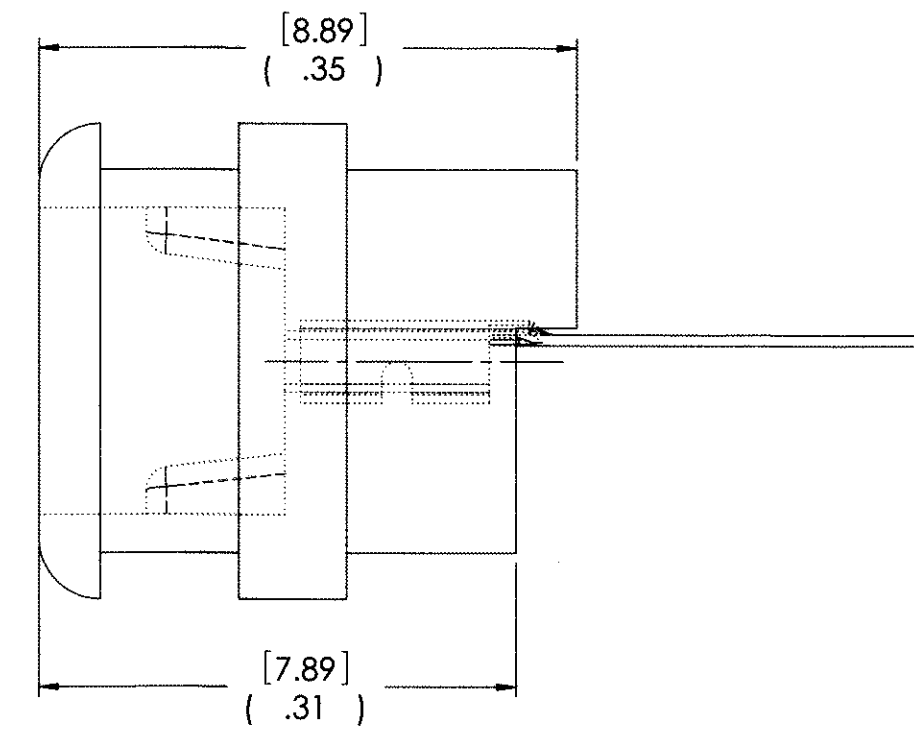


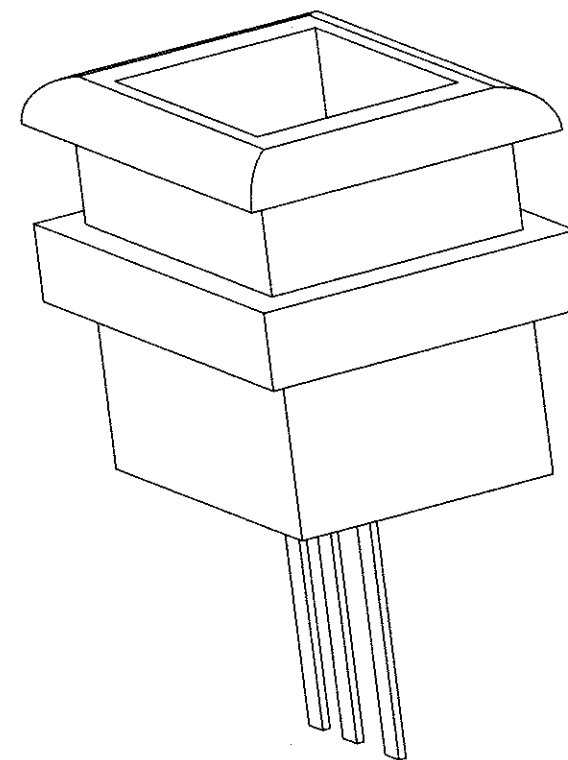
REVISIONS			
REV	DESCRIPTION	DATE	APPVD
A	RELEASED PER ECO 17419 XZ 3/6/12	3/28/12	[Signature]



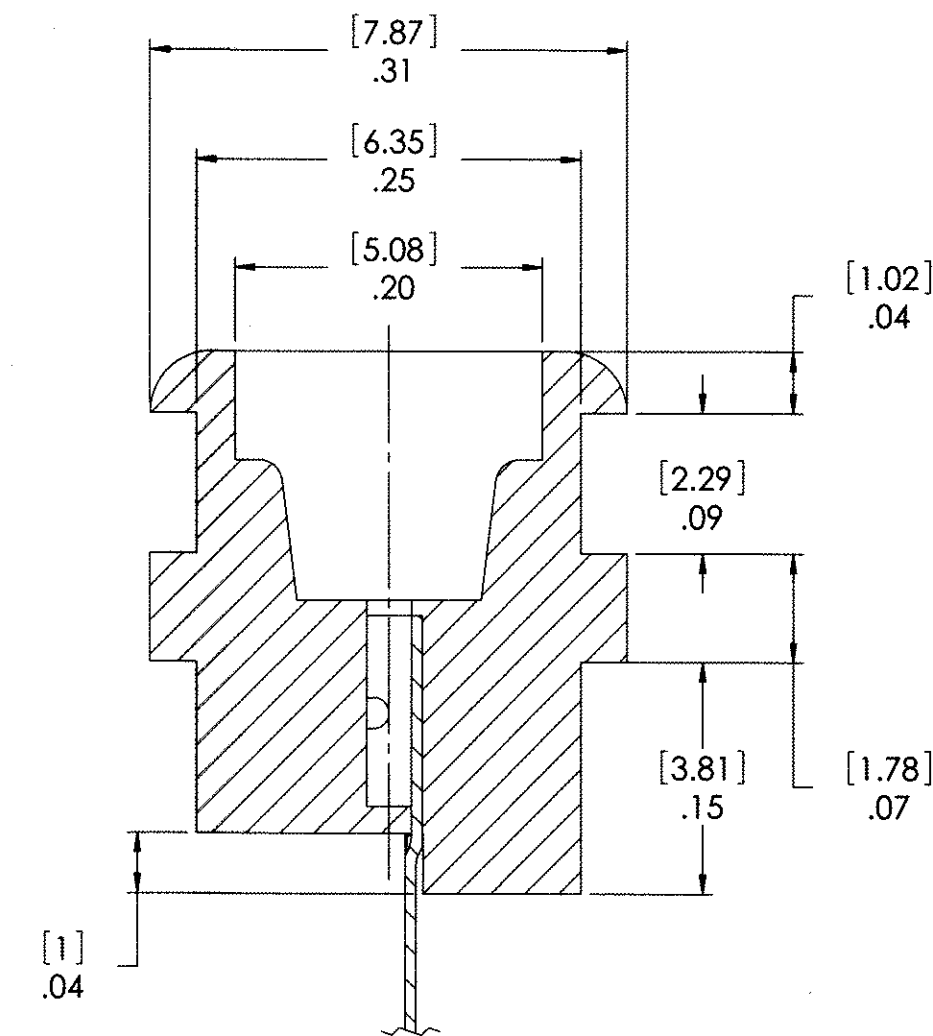
WITH OFFSET



SECTION A-A



WITHOUT OFFSET



SECTION B-B

THIS DRAWING CONTAINS CONFIDENTIAL AND PROPRIETARY INFORMATION AND MAY NOT BE ISSUED OR REPRODUCED, IN WHOLE, OR IN PART, WITHOUT THE EXPRESS WRITTEN PERMISSION OF PLASTICS ONE INC.

<b>TOLERANCES</b> UNLESS OTHERWISE SPECIFIED ALL DIMENSIONS IN INCHES DIMENSIONS IN [ ] METRIC	<b>APPROVALS</b> DRAWN XZHOU	<b>DATE</b> 3/6/12	<b>PlasticsOne</b> <i>Medical Design and Manufacture</i> 6591 MERRIMAN ROAD, S.W., ROANOKE, VA, 24018 PHONE: 540-772-7950 FAX: 540-989-7519
	CHECKED <i>[Signature]</i>	DATE 3/23/12	
<b>FRACTIONAL</b> ±1/64	PROJECT ENGR <i>[Signature]</i>	APPROVED <i>[Signature]</i>	SCALE 8X
<b>DECIMAL</b> .00 ±.01 [.25mm] .000 ±.005 [.127mm]	PROJECT FSCM	SIZE DWG C 36005-50	REV A SHT 1 OF 1

