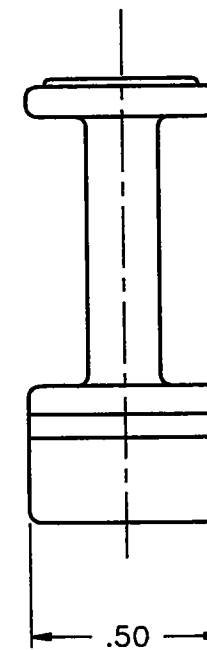
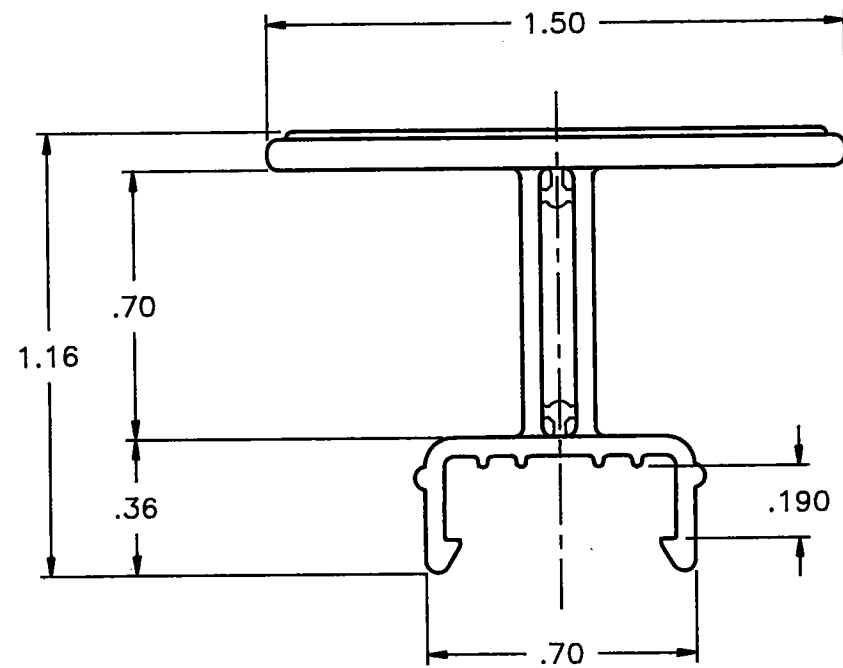
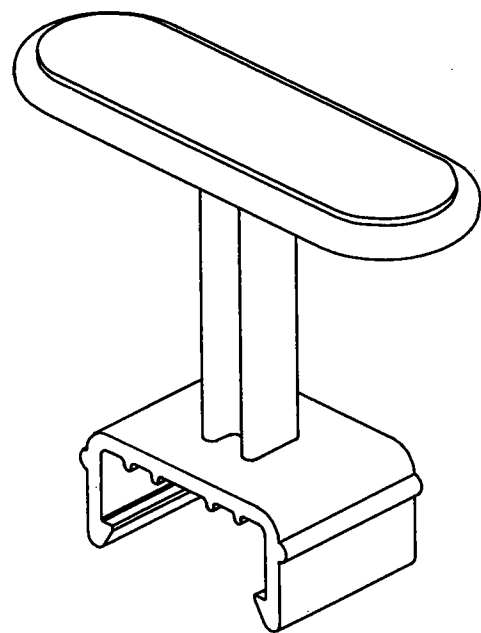
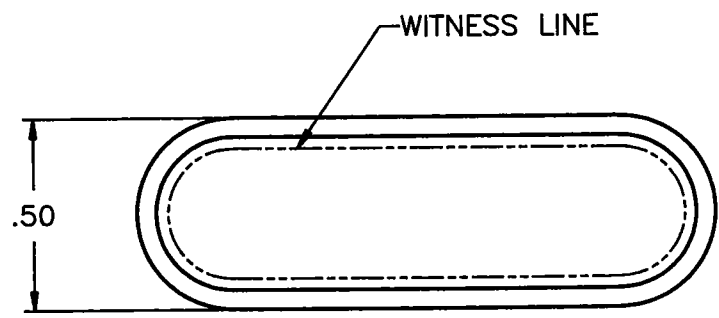


THIS DRAWING CONTAINS PROPRIETARY INFORMATION AND MAY NOT BE ISSUED OR REPRODUCED, IN WHOLE OR IN PART, WITHOUT EXPRESS WRITTEN PERMISSION OF PLASTICS ONE INC



TOLERANCES UNLESS OTHERWISE SPECIFIED ALL DIMENSIONS IN INCHES DIMENSIONS IN [] METRIC	APPROVALS	DATE	 HOLDING THE FUTURE 6591 MERRIMAN ROAD, S.W., ROANOKE, VA, 24018 PHONE: 703-772-7950 FAX: 703-989-7519
	DRAWN <i>Brindle</i>	7/26/94	
	CHECKED		
	PROJ ENGR <i>Brindle</i>	7/26/94	
FRACTIONAL $\pm 1/64$ DECIMAL $.00 \pm .01$ [.25mm] $.000 \pm .005$ [.127mm]	APPROVED <i>[Signature]</i> 2-3-95		TITLE CLIP, HANDLE, BAR ELECTRODE
ANGULAR $\pm .5^\circ$	PROJECT 1361	FSCM	ICN SCALE 2:1 SIZE DWG B 36427-50 REV A SHT 1 OF 1

REV.	A	REL FOR PROD ECO 911 11/14/94 /BB	2-3-95	<i>[Signature]</i>
		DESCRIPTION	APPROVAL DATE	APPROVED BY