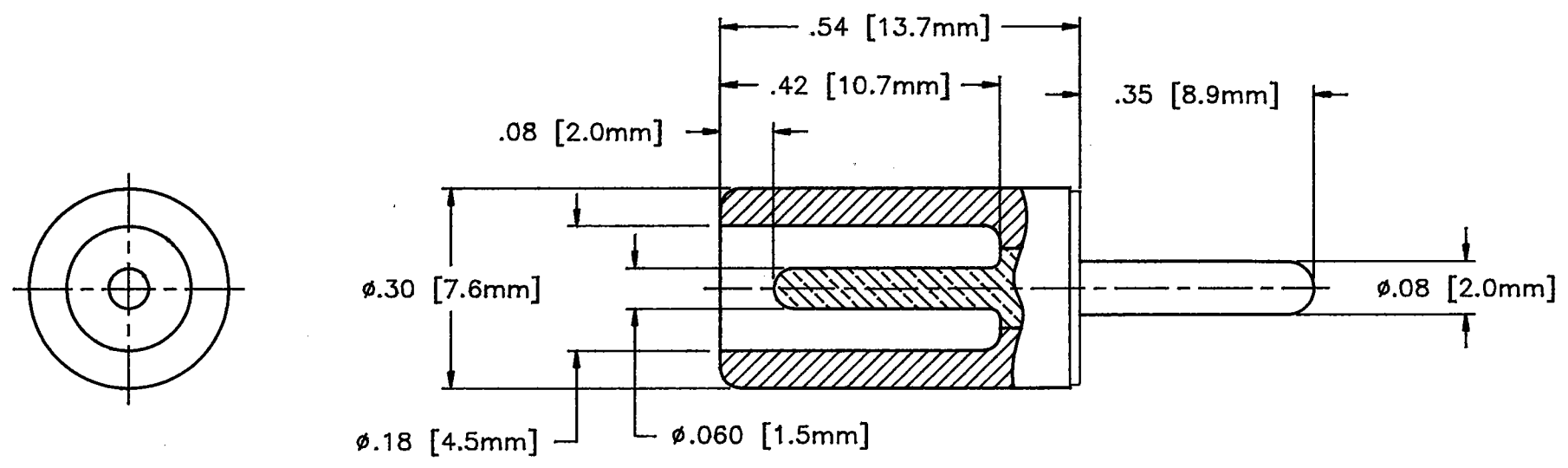


THIS DRAWING CONTAINS PROPRIETARY INFORMATION AND MAY NOT BE ISSUED OR REPRODUCED, IN WHOLE OR IN PART, WITHOUT EXPRESS WRITTEN PERMISSION OF PLASTICS ONE INC

DWG
36586-50



REF: DIN 42 802

TOLERANCES UNLESS OTHERWISE SPECIFIED ALL DIMENSIONS IN INCHES DIMENSIONS IN [] METRIC		APPROVALS DRAWN <i>Brindle</i>	DATE 2/4/94	
FRACTIONAL $\pm 1/64$		CHECKED		
DECIMAL $.00 \pm .01$ [.25mm] $.000 \pm .005$ [.127mm]		PROJ ENGR <i>Brindle</i>	2/4/94	
ANGULAR $\pm .5^\circ$		APPROVED <i>[Signature]</i>	11-9-94	
DESCRIPTION REL FOR PROD ECO 854 /BB 9/21/94		APPROVAL DATE 11-9-94	APPROVED BY <i>[Signature]</i>	TITLE ADAPTER, 36586, 1.5/2.0mm
REV.	DESCRIPTION	APPROVAL DATE	APPROVED BY	ICN
THIS DRAWING CONTAINS PROPRIETARY INFORMATION AND MAY NOT BE ISSUED OR REPRODUCED, IN WHOLE OR IN PART, WITHOUT EXPRESS WRITTEN PERMISSION OF PLASTICS ONE INC		SCALE 4:1		SIZE A
		PROJECT 1423	FSCM	DWG 36586-50
				REV A
				SHT 1 OF 1