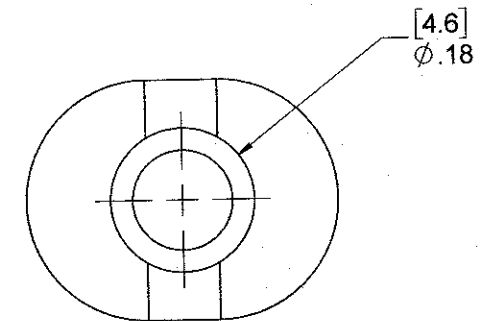
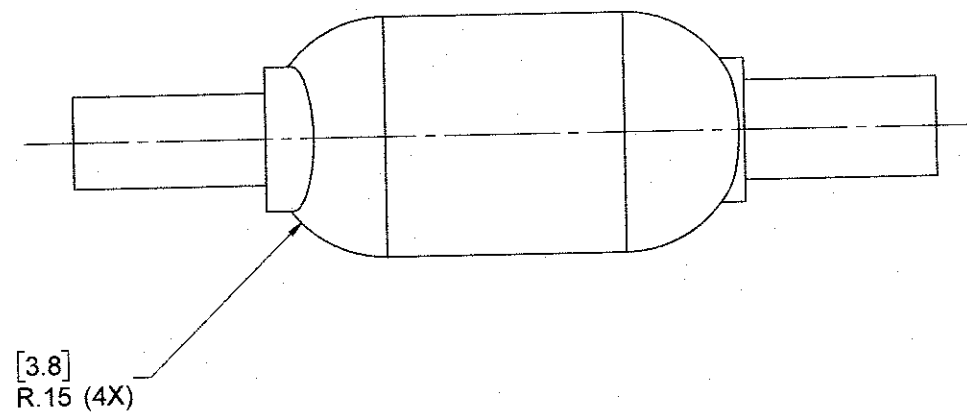
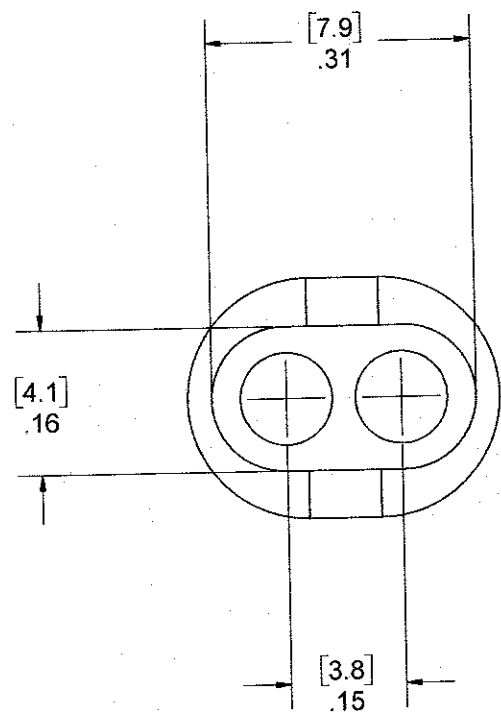
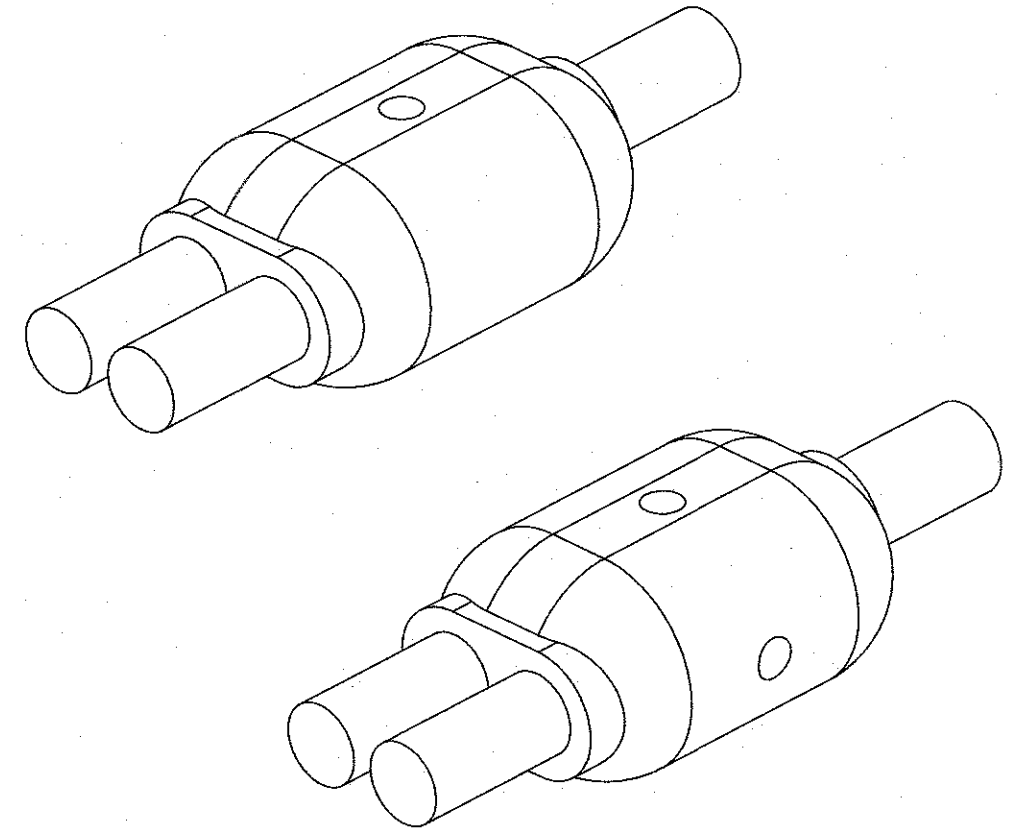
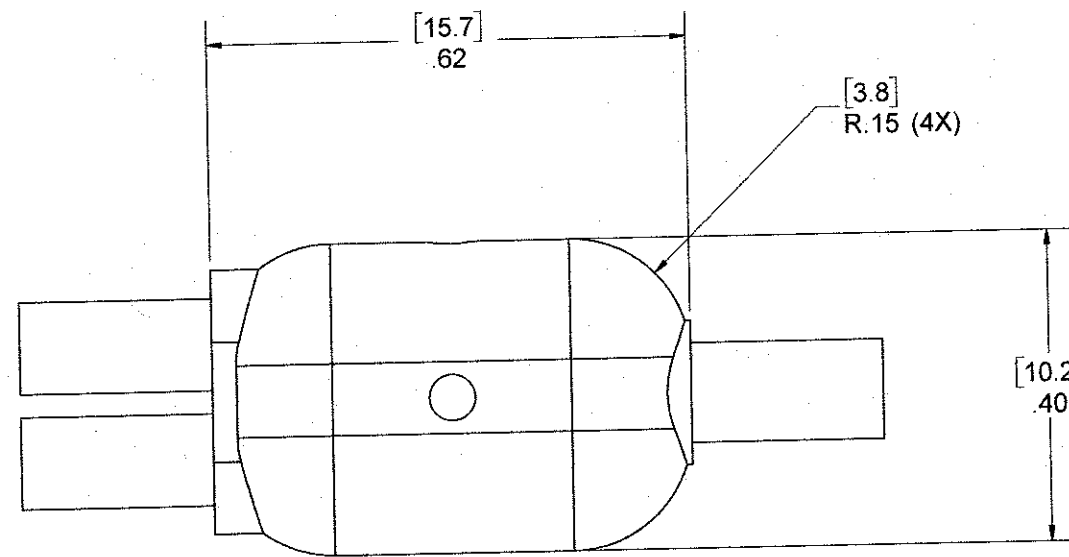


4

3

2

1



SW

REV	DESCRIPTION	DATE	BY
A	RELEASE PER ECO 31123 WDS 3/27/18	3/28/18	JJB
REVISIONS			

TOLERANCES	
UNLESS OTHERWISE SPECIFIED ALL DIMENSIONS IN INCHES DIMENSIONS IN [ ] METRIC	
FRACTIONAL	±1/64
DECIMAL	.00 ±.01 [.25mm] .000 ±.005 [.127mm]
ANGULAR	±.5°

APPROVALS	DATE
DRAWN WDS	3/27/18
CHECKED <i>R. Spaly</i>	3/27/18
PROJ ENGR	
APPROVED <i>R. Spaly</i>	3/27/18
PROJECT 1434	FSCM

**PlasticsOne**  
 Medical, Research & Audio Components  
 6591 MERRIMAN ROAD, S.W., ROANOKE, VA, 24018  
 PHONE: 540-772-7950 FAX: 540-989-7519

TITLE: BIFURCATION, Y03  
 SCALE: 4:1  
 SIZE: B DWG: 36618-50  
 REV: A SHT: 1 OF: 1

THIS DRAWING CONTAINS CONFIDENTIAL AND PROPRIETARY INFORMATION AND MAY NOT BE ISSUED OR REPRODUCED, IN WHOLE, OR IN PART, WITHOUT THE EXPRESS WRITTEN PERMISSION OF PLASTICS ONE INC.