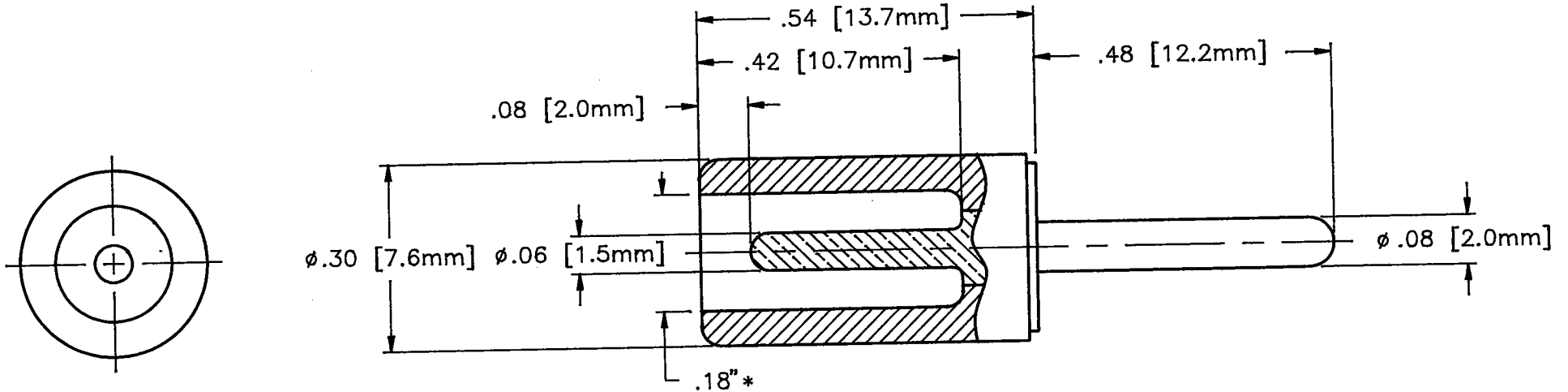


THIS DRAWING CONTAINS PROPRIETARY INFORMATION AND MAY NOT BE ISSUED OR REPRODUCED, IN WHOLE OR IN PART, WITHOUT EXPRESS WRITTEN PERMISSION OF PLASTICS ONE INC



NOTE: "*" REF. DIN 42 802

TOLERANCES UNLESS OTHERWISE SPECIFIED ALL DIMENSIONS IN INCHES DIMENSIONS IN [] METRIC		APPROVALS DRAWN <i>W. Carter</i>		DATE 4/21/94					
FRACTIONAL $\pm 1/64$		CHECKED		PROJ ENGR				TITLE ADAPTER, 36740-50, 1.5/2.0mm	
DECIMAL $.00 \pm .01$ [.25mm] $.000 \pm .005$ [.127mm]		APPROVED <i>[Signature]</i>		10-28-94		ICN		SCALE 4:1	
ANGULAR $\pm .5$		PROJECT		FSCM		SIZE DWG A 36740-50		REV SHT 1 OF 1 B	

B	REL PER ECO 892	10/25/94	<i>WYB</i>	10-28-94	<i>[Signature]</i>
A	REL PER ECO 713	6/23/94	<i>WYB</i>	10-28-94	<i>[Signature]</i>
REV.	DESCRIPTION	APPROVAL DATE	APPROVED BY		