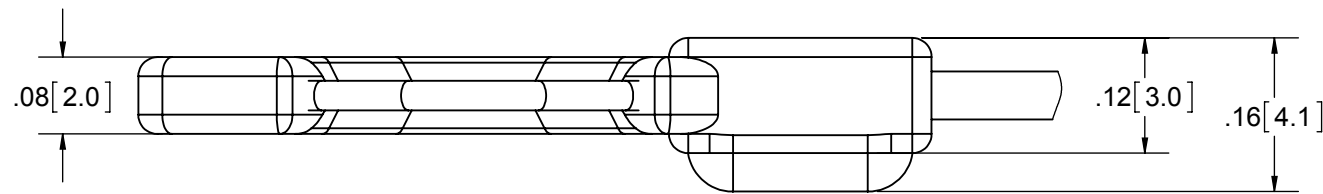
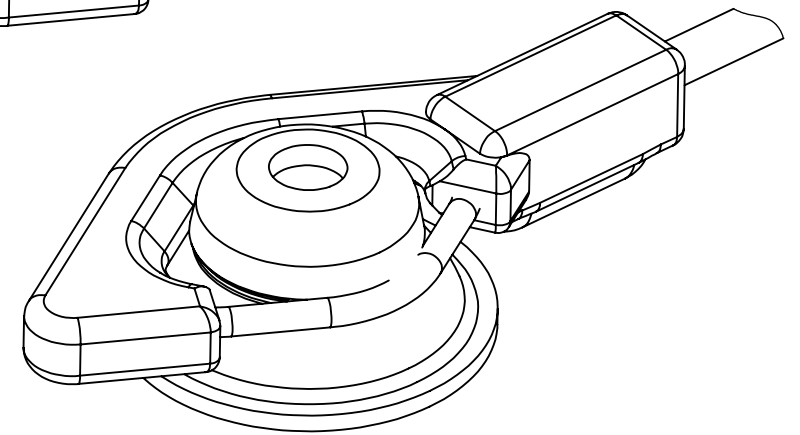
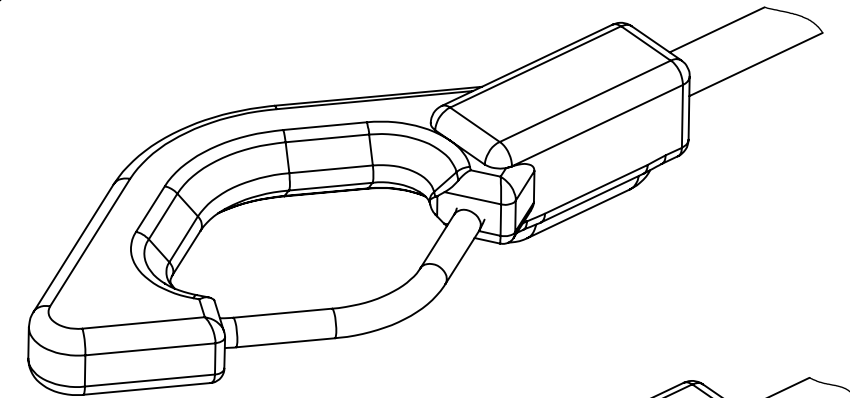
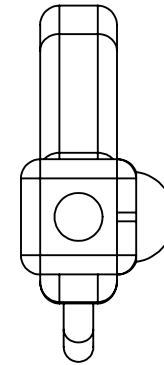


SECTION A-A
SCALE 5 : 1



| REV | DESCRIPTION | DATE | BY |
|-----------|-----------------------------------|---------|-----|
| | REDRAWN IN SOLIDWORKS TAS 7/17/14 | | |
| C | REV PER ECO 2221 RTS 8/22/96 | 9/5/96 | RTS |
| B | REV PER ECO 2187 RTS 8/9/96 | 8/14/96 | RTS |
| A | RELEASE PER ECO 1289 RTS 6/21/95 | 6/29/96 | LL |
| REVISIONS | | | |

| | |
|--|--|
| TOLERANCES UNLESS OTHERWISE SPECIFIED ALL DIMENSIONS IN INCHES DIMENSIONS IN [] METRIC | |
| FRACTIONAL ±1/64 | |
| DECIMAL .00 ±.01 [.25mm] .000 ±.005 [.127mm] | |
| ANGULAR ±.5° | |

| | |
|-------------------|----------|
| APPROVALS | DATE |
| DRAWN SINCLAIR | 12/23/93 |
| CHECKED | |
| PROJ ENGR | |
| APPROVED | |
| PROJECT 1415 | FSCM |

| | |
|-------|----------|
| SCALE | 5:1 |
| SIZE | B |
| DWG | 37296-50 |
| REV | C |
| SHT | 1 OF 1 |

PlasticsOne
Medical Design and Manufacture
 6591 MERRIMAN ROAD, S.W., ROANOKE, VA, 24018
 PHONE: 540-772-7950 FAX: 540-989-7519

TITLE
**CONNECTOR, 238,
 FOR DISPOSABLE ELECTRODE**

THIS DRAWING CONTAINS CONFIDENTIAL AND PROPRIETARY INFORMATION AND MAY NOT BE ISSUED OR REPRODUCED, IN WHOLE, OR IN PART, WITHOUT THE EXPRESS WRITTEN PERMISSION OF PLASTICS ONE INC.

D
C
B
A