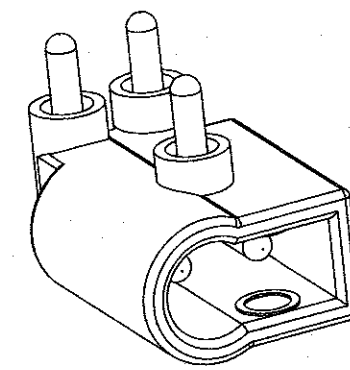
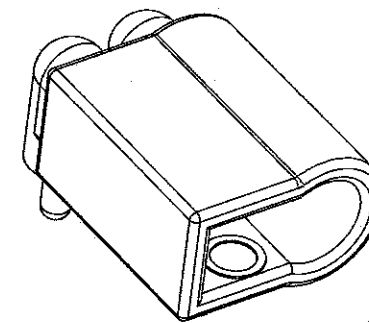
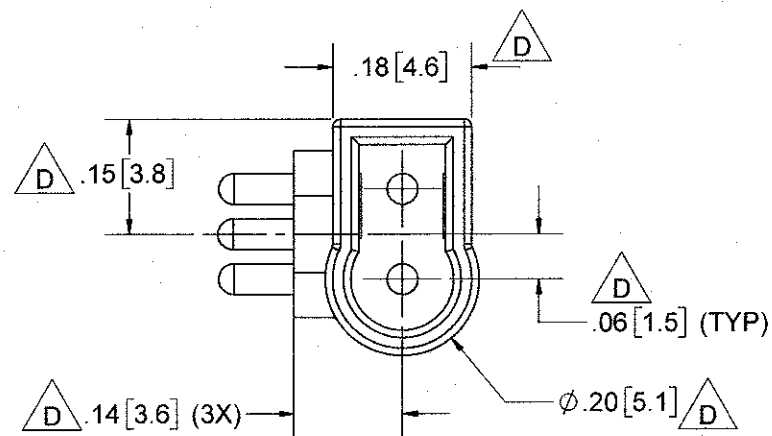


**NOTES:**

1. MATERIAL: PBT  
OTHER MATERIALS AVAILABLE
2. SIGNAL CONTACT PLATING: SOFT NICKEL, THEN SOFT GOLD
3. PIN SETBACK: 0.10" [2.5MM]  
EN 60601 TOUCHPROOF
4. GENERAL PERFORMANCE (CONTACT POI FOR TEST CONDITIONS)  
EXTRACTION FORCE: 7.5 LBS AVERAGE (33.4N)  
LIFE CYCLE: 1000+ INSERTION CYCLES  
HIPOT: 1000 VAC BETWEEN CONTACTS  
5000 VDC TO ANY EXPOSED METAL COMPONENTS  
MAX CURRENT: 8 AMPS
5. OPERATING TEMPERATURE: +5° C TO +60° C
6. UL94 V-0/5V
7. WAVE SOLDERABLE



THIS DRAWING CONTAINS CONFIDENTIAL AND PROPRIETARY INFORMATION AND MAY NOT BE ISSUED OR REPRODUCED, IN WHOLE, OR IN PART, WITHOUT THE EXPRESS WRITTEN PERMISSION OF PLASTICS ONE INC.

REV	DESCRIPTION	DATE	BY
D	REV PER ECO 27895 TAS 10/6/16	10/18/16	SJA
C	REV PER ECO 19396 TAS 6/19/13 REDRAWN IN SOLIDWORKS	7/8/13	TVB
B	REV PER ECO 9220 JLS 12/05/05	12/15/05	JLS
A	RELEASE PER ECO 1680 NJS 2/15/96	2/21/96	NJS
REVISIONS			

TOLERANCES UNLESS OTHERWISE SPECIFIED ALL DIMENSIONS IN INCHES DIMENSIONS IN [ ] METRIC		APPROVALS	DATE
FRACTIONAL ±1/64		DRAWN N. SOCHOR	9/15/95
DECIMAL .00 ±.01 [.25mm] .000 ±.005 [.127mm]		CHECKED KOS	10/10/16
ANGULAR ±.5°		PROJ ENGR	
		APPROVED K. Espaly	10/14/16
		PROJECT 6653	FSCM

**PlasticsOne**

Medical, Research & Audio Components  
6591 MERRIMAN ROAD, S.W., ROANOKE, VA, 24018  
PHONE: 540-772-7950 FAX: 540-989-7519

TITLE JACK, PCB, ANGLED, HORIZONTAL,  
1mm HIGH EXTRACTION

SCALE 4:1

SIZE DWG B 37341-50 REV D SHT 1 OF 1

D  
C  
B  
A