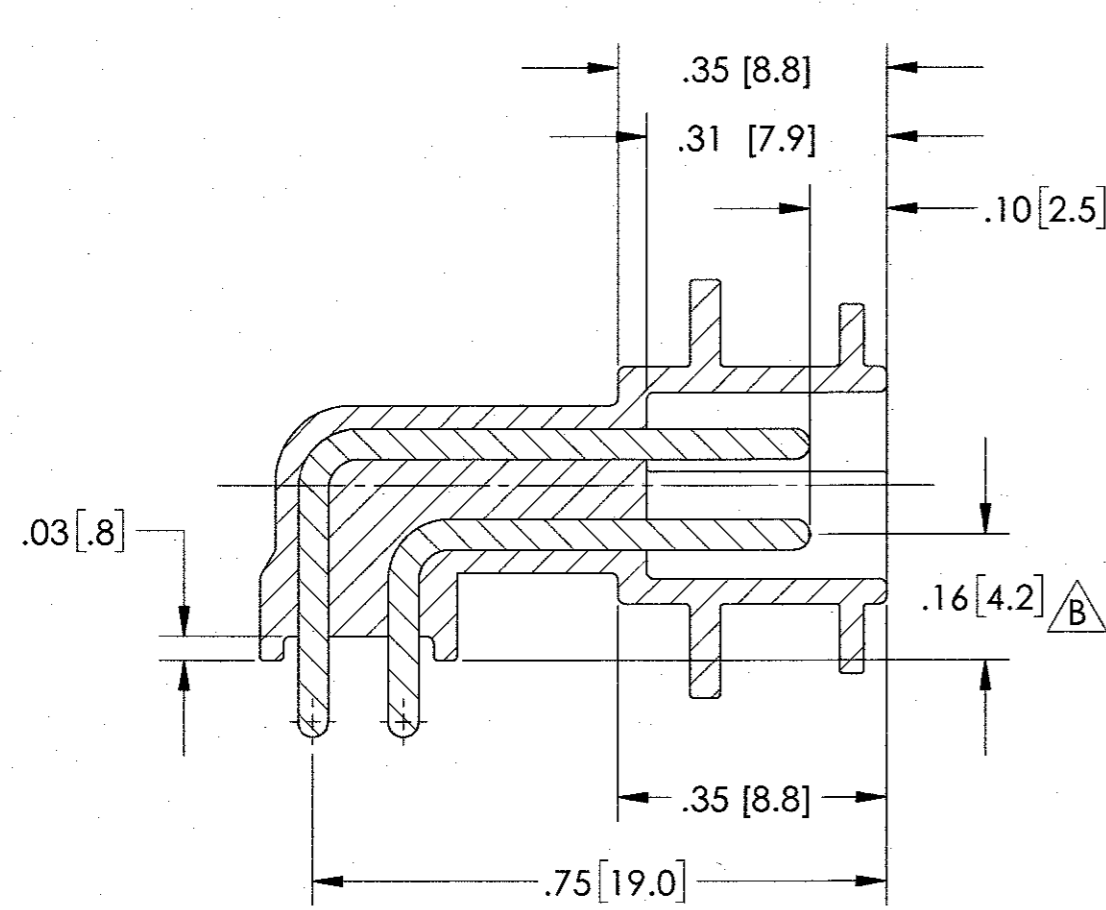
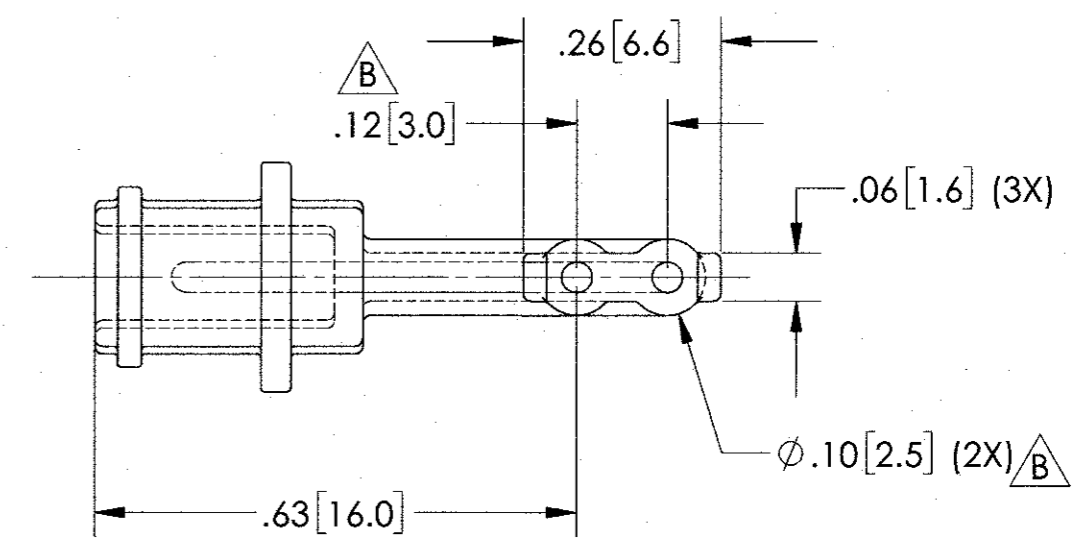
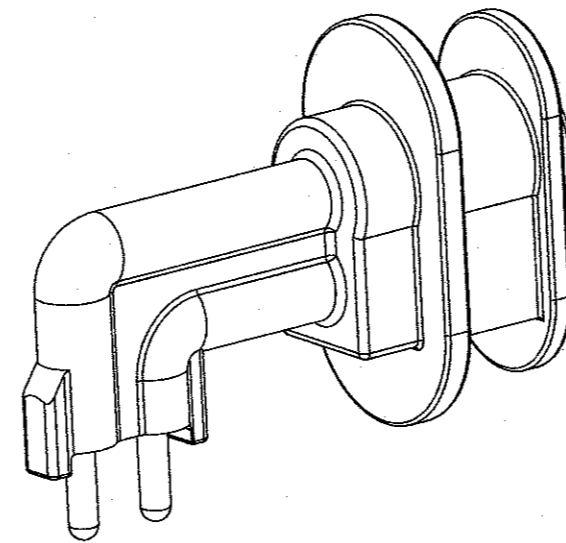
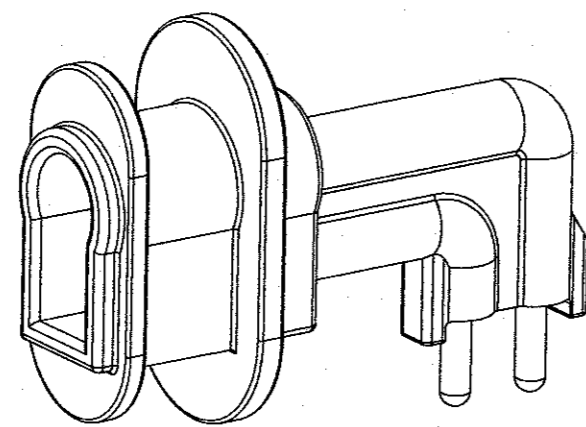
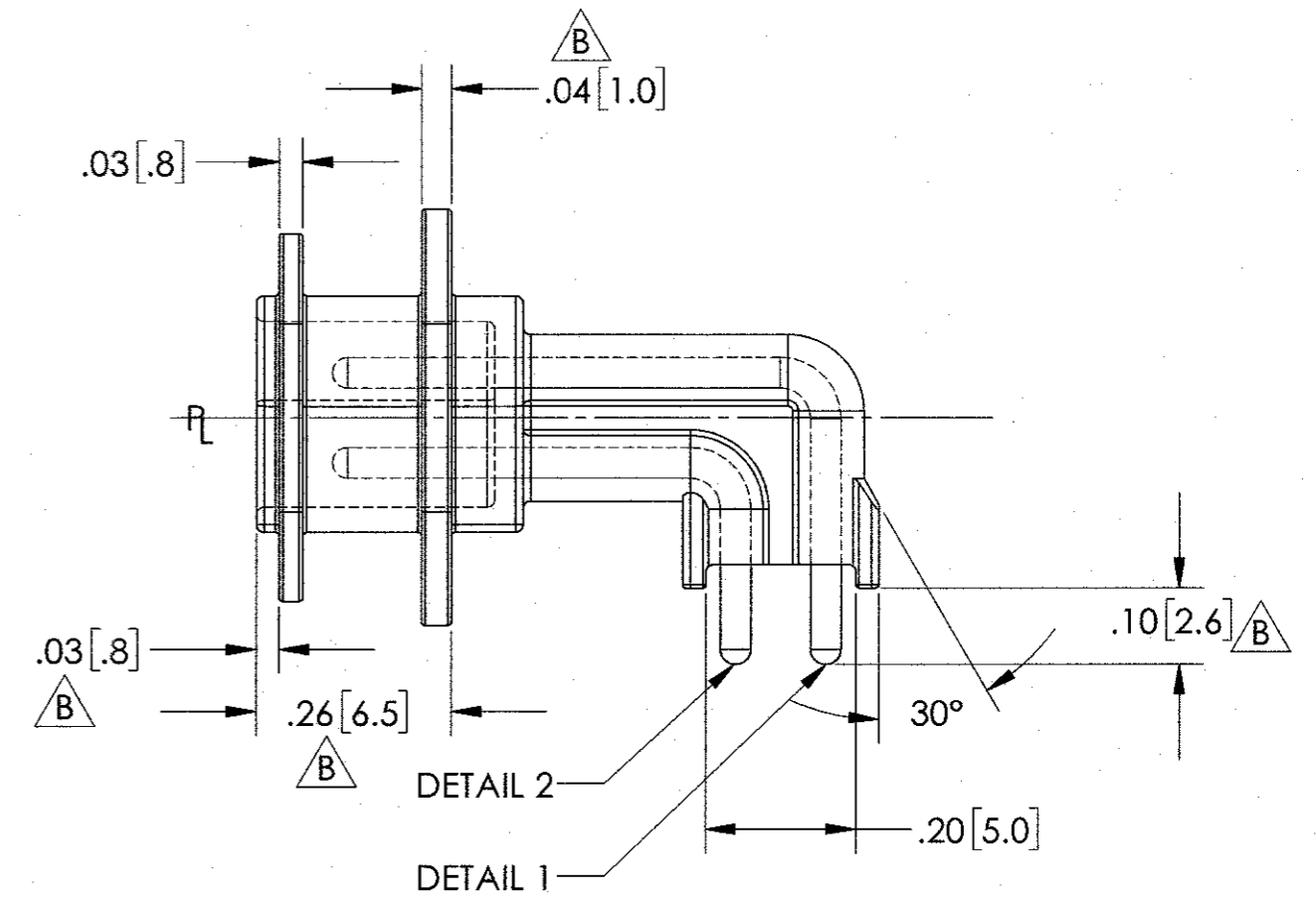
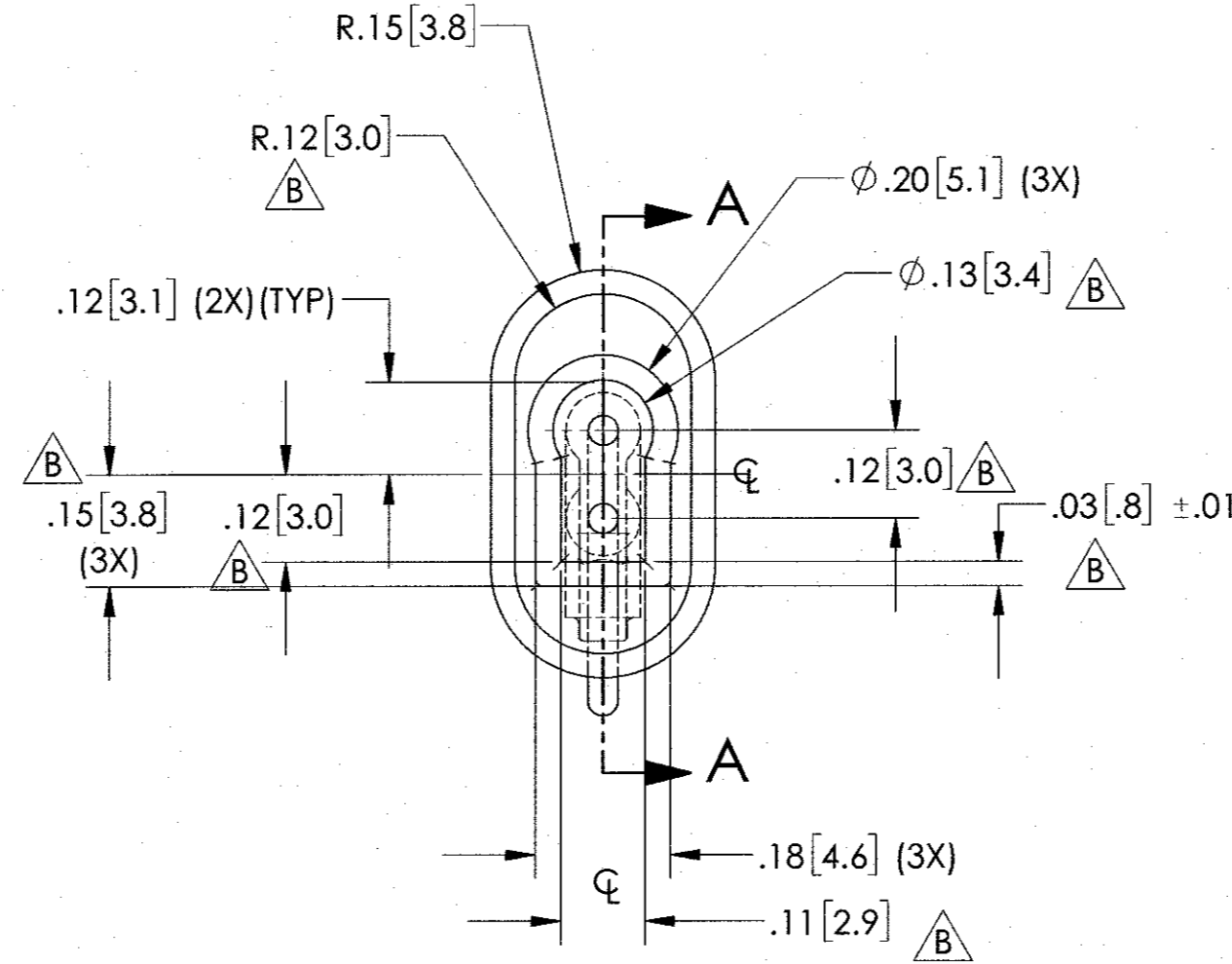


REVISIONS			
REV	DESCRIPTION	DATE	APP'VD
A	RELEASE PER ECO 1681, NJS, 2/15/96	2/20/96	NS
B	REV PER ECO 28336 XZ 12/9/16	12/16/16	QZ



SECTION A-A



- NOTES:  
 1. PART MATERIAL: PBT  
 2. REFERENCE PIN DRAWINGS: 37345 AND 37346  
 3. REFERENCE LEAD DRAWING: 37347  
 4. UNLESS OTHERWISE SHOWN, ALL RADII TO BE R.005

THIS DRAWING CONTAINS CONFIDENTIAL AND PROPRIETARY INFORMATION AND MAY NOT BE ISSUED OR REPRODUCED, IN WHOLE, OR IN PART, WITHOUT THE EXPRESS WRITTEN PERMISSION OF PLASTICS ONE INC.

DET	QTY	MAT'L	DESCRIPTION
2	1	BRASS	PIN, 1mm, ANGLED, .530, (37346)
1	1	BRASS	PIN, 1mm, ANGLED, .648, (37345)

TOLERANCES			APPROVALS		DATE
UNLESS OTHERWISE SPECIFIED ALL DIMENSIONS IN INCHES DIMENSIONS IN [ ] METRIC			DRAWN	N. SOCHOR	9/16/95
FRACTIONAL ±1/64	CHECKED	LAB	PROJECT ENGR		12/9/16
DECIMAL .00 ±.01 [25mm] .000 ±.005 [127mm]	APPROVED				
ANGULAR ±5°	PROJECT	6654	FSCM		

TITLE		SCALE	
JACK, PCB, ANGLED, VERTICAL, 1mm		4:1	
SIZE	DWG	REV	SHT
C	37344-50	B	1
		OF	1

D  
C  
B  
A