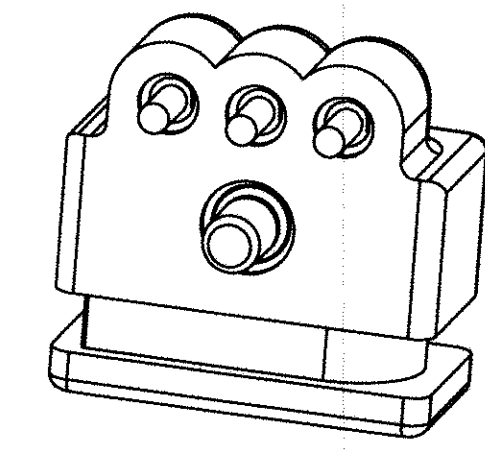
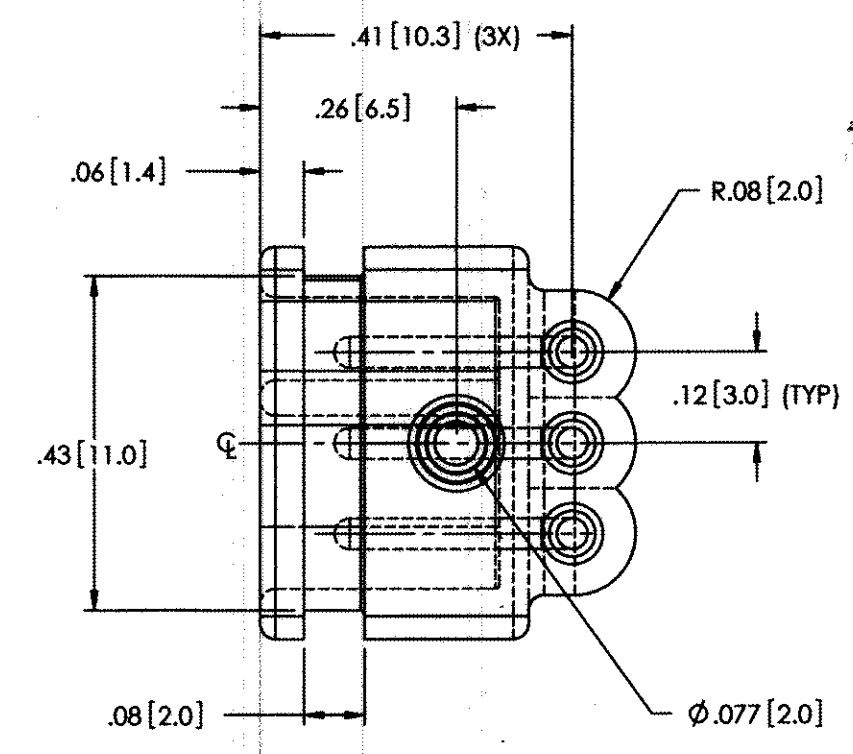
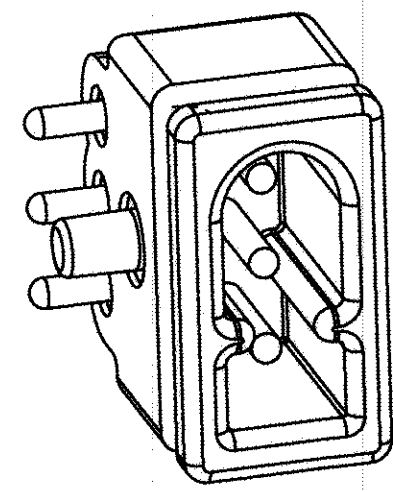
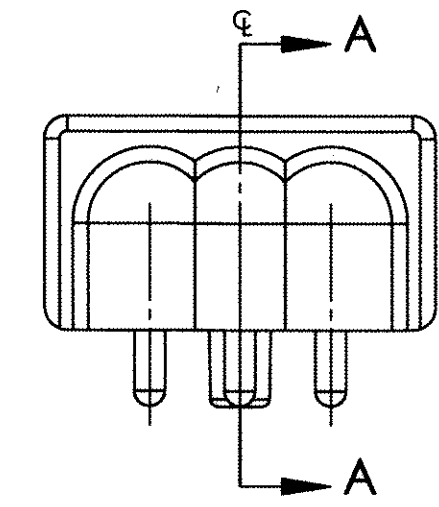
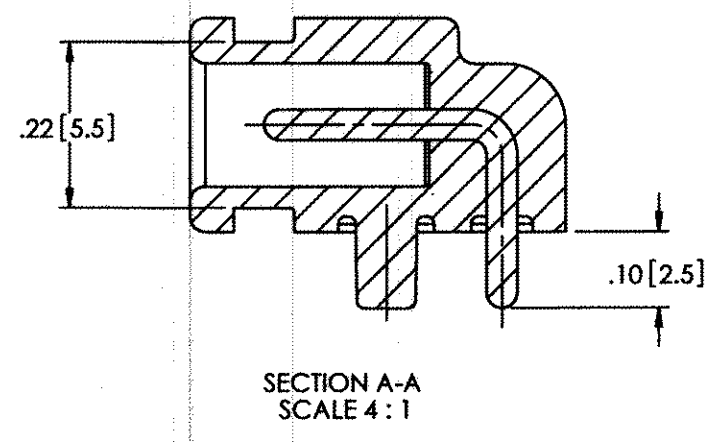
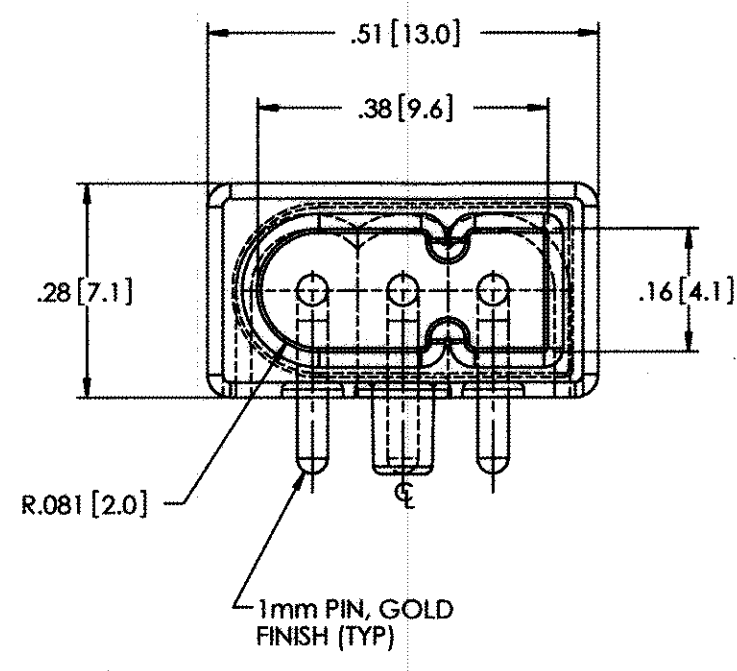


| REVISIONS | | | |
|-----------|-----------------------------------|----------|-------|
| REV | DESCRIPTION | DATE | APPVD |
| A | RELEASED PER ECO 2191 NJS 8/12/96 | 8/12/96 | NS |
| | REDRAWN SOLIDWORKS XZ 8/31/07 | | |
| B | REV PER ECO 20917 XZ 9/6/13 | 09/06/13 | XZ |



- NOTES:**
 1. PART MATERIAL: PBT
 2. REFERENCE MATING PLUG DRAWING: 37389

THIS DRAWING CONTAINS CONFIDENTIAL AND PROPRIETARY INFORMATION AND MAY NOT BE ISSUED OR REPRODUCED, IN WHOLE, OR IN PART, WITHOUT THE EXPRESS WRITTEN PERMISSION OF PLASTICS ONE INC.

| | | | | |
|---|---------------------------------|--|--|---|
| TOLERANCES UNLESS OTHERWISE SPECIFIED ALL DIMENSIONS IN INCHES DIMENSIONS IN [] METRIC | | APPROVALS DRAWN NATE SOCHOR | DATE 8/9/96 | PlasticsOne Medical Design and Manufacture 6591 MERRIMAN ROAD, S.W., ROANOKE, VA, 24018 PHONE: 540-772-7950 FAX: 540-989-7519 |
| FRACTIONAL $\pm 1/64$ | CHECKED <i>K. Spauldy</i> | DATE 9/6/13 | TITLE JACK, PCB, ANGLED 1mm 3-PIN TOUCHPROOF | |
| DECIMAL .00 \pm .01 [.25mm] .000 \pm .005 [.127mm] | PROJECT ENGR PROJECT 6706 | SCALE 4:1 | | |
| ANGULAR $\pm .5^\circ$ | APPROVED <i>K. Spauldy</i> | DATE 9/6/13 | SIZE DWG 37393-50 | |
| | | REV B | SHT 1 OF 1 | |

