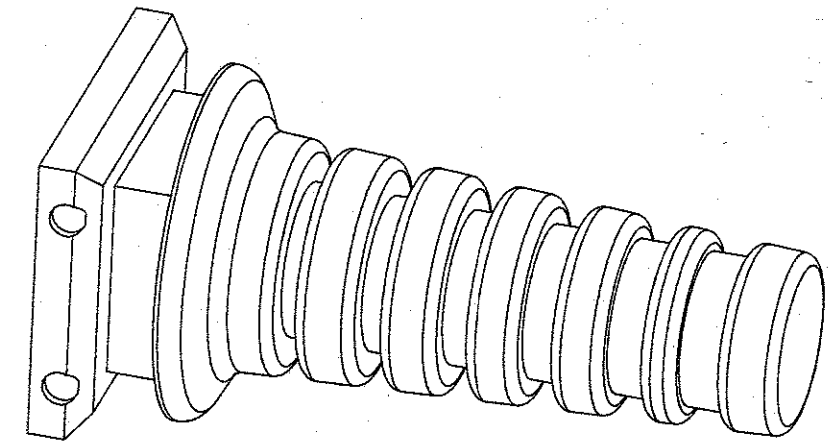
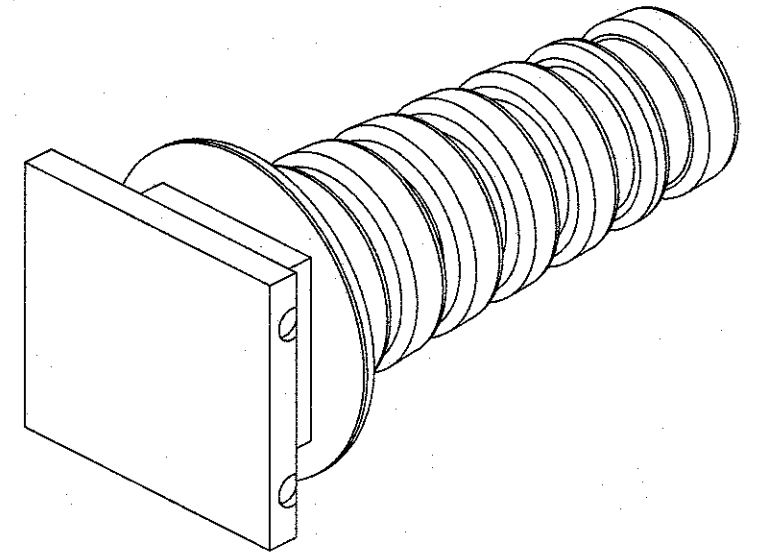
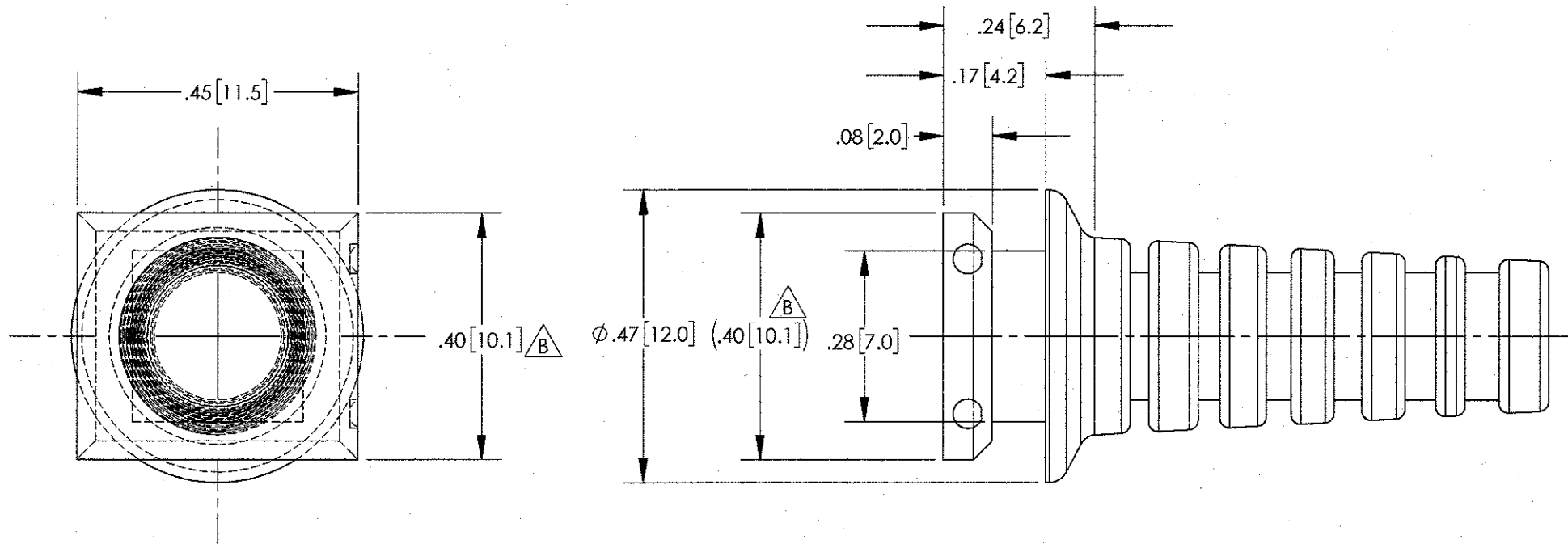


4

3

2

1



THIS DRAWING CONTAINS CONFIDENTIAL AND PROPRIETARY INFORMATION AND MAY NOT BE ISSUED OR REPRODUCED, IN WHOLE, OR IN PART, WITHOUT THE EXPRESS WRITTEN PERMISSION OF PLASTICS ONE INC.

REV	DESCRIPTION	DATE	BY
B	REV PER ECO 31250 TAS 4/16/18	4/17/18	TAS
A	RELEASE PER ECO 22907 TAS 8/11/14	8/21/14	BLR
REVISIONS			

TOLERANCES		APPROVALS	DATE
UNLESS OTHERWISE SPECIFIED ALL DIMENSIONS IN INCHES DIMENSIONS IN [] METRIC		DRAWN T. STUMP	8/11/14
FRACTIONAL ±1/64		CHECKED <i>[Signature]</i>	4/16/18
DECIMAL .00 ±.005 [.127mm] .000 ±.001 [.025mm] .0000 ±.0005 [.0127mm]		PROJECT ENGR <i>[Signature]</i>	
ANGULAR ±.5°		APPROVED <i>[Signature]</i>	4/16/18
		PROJECT <i>[Signature]</i>	FSCM
PlasticsOne			
Medical, Research & Audio Components 6591 MERRIMAN ROAD, S.W., ROANOKE, VA, 24018 PHONE: 540-772-7950 FAX: 540-989-7519			
TITLE		ANCHOR, BEND RELIEF, A29	
TOOLING	MOLD CLASS	SCALE 4:1	
SIZE DWG	37441-50		REV B
		SHT 1	OF 1

D

C

B

A