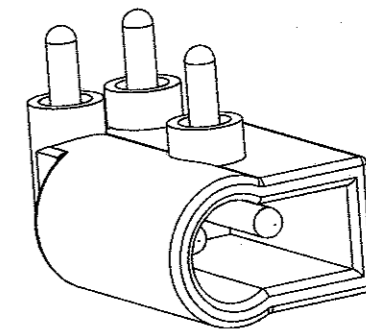
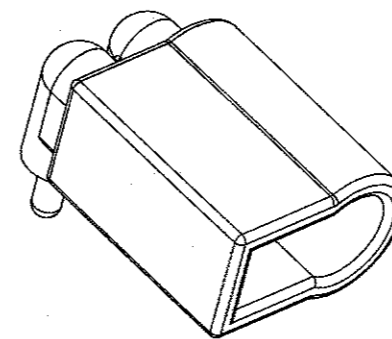
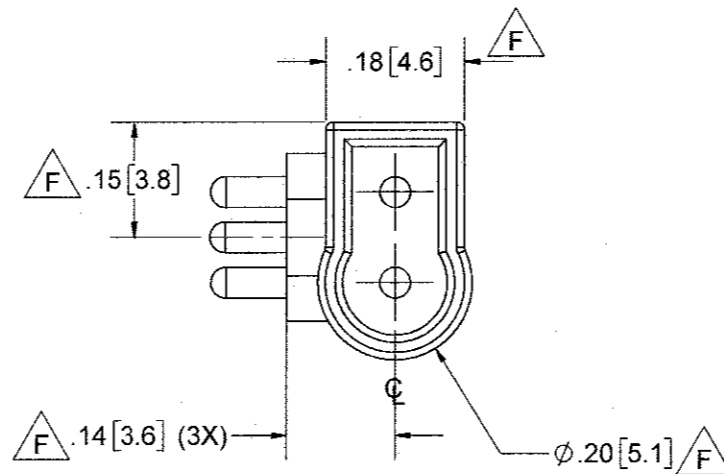


NOTES:

1. MATERIAL: PBT
OTHER MATERIALS AVAILABLE
2. SIGNAL CONTACT PLATING: SOFT NICKEL, THEN SOFT GOLD
3. PIN SETBACK: 0.10" [2.5MM]
EN 60601 TOUCHPROOF
4. GENERAL PERFORMANCE (CONTACT POI FOR TEST CONDITIONS)
EXTRACTION FORCE: 5.1 LBS AVERAGE (22.7N)
LIFE CYCLE: 1000+ INSERTION CYCLES
HIPOT: 1000 VAC BETWEEN CONTACTS
5000 VDC TO ANY EXPOSED METAL COMPONENTS
MAX CURRENT: 8 AMPS
5. OPERATING TEMPERATURE: +5° C TO +60° C
6. UL94 V-0/5V
7. WAVE SOLDERABLE



REV	DESCRIPTION	DATE	BY
F	REV PER ECO 27895 TAS 10/6/16	10/18/16	SLA
E	REV PER ECO 24203 XZ 2/12/15	2/13/15	XZ
D	REV PER ECO 21075 XZ 10/1/13	10/3/13	TVB
C	REV PER ECO 19396 TAS 6/18/13 REDRAWN IN SOLIDWORKS	7/8/13	TVB
B	REV PER ECO 9220 JS 12/05/05	12/14/05	JLS
A	RELEASE PER ECO 2986 RS 8/18/97	8/18/97	RS
REVISIONS			

TOLERANCES UNLESS OTHERWISE SPECIFIED ALL DIMENSIONS IN INCHES DIMENSIONS IN [] METRIC	
FRACTIONAL ±1/64	
DECIMAL .00 ±.01 [.25mm] .000 ±.005 [.127mm]	
ANGULAR ±.5°	

APPROVALS	DATE
DRAWN N. SOCHOR	8/18/97
CHECKED <i>[Signature]</i>	10/10/16
PROJ ENGR	
APPROVED <i>[Signature]</i>	10/14/16
PROJECT 6919	FSCM

PlasticsOne
Medical, Research & Audio Components
6591 MERRIMAN ROAD, S.W., ROANOKE, VA, 24018
PHONE: 540-772-7950 FAX: 540-989-7519

TITLE JACK, PCB, ANGLED, HORIZONTAL,
1mm, LOW EXTRACTION

SCALE 4:1

SIZE B	DWG 37851-50	REV F	SHT OF 1
------------------	-----------------	----------	-------------

THIS DRAWING CONTAINS CONFIDENTIAL AND PROPRIETARY INFORMATION AND MAY NOT BE ISSUED OR REPRODUCED, IN WHOLE, OR IN PART, WITHOUT THE EXPRESS WRITTEN PERMISSION OF PLASTICS ONE INC.