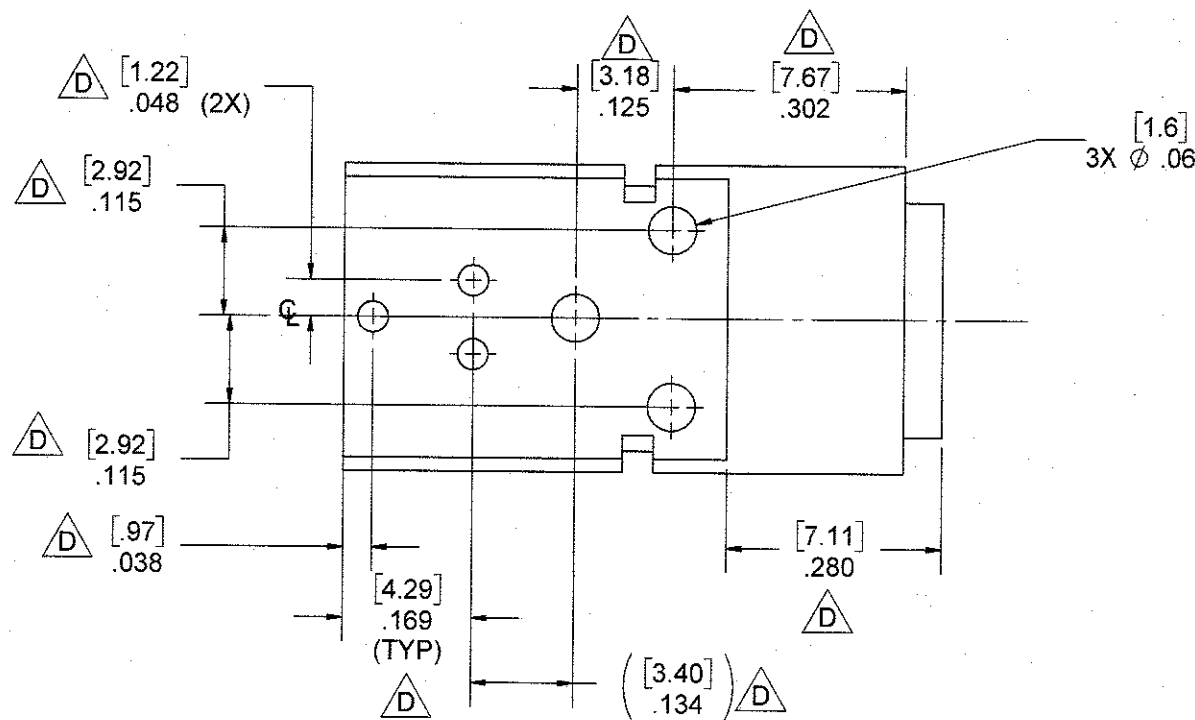
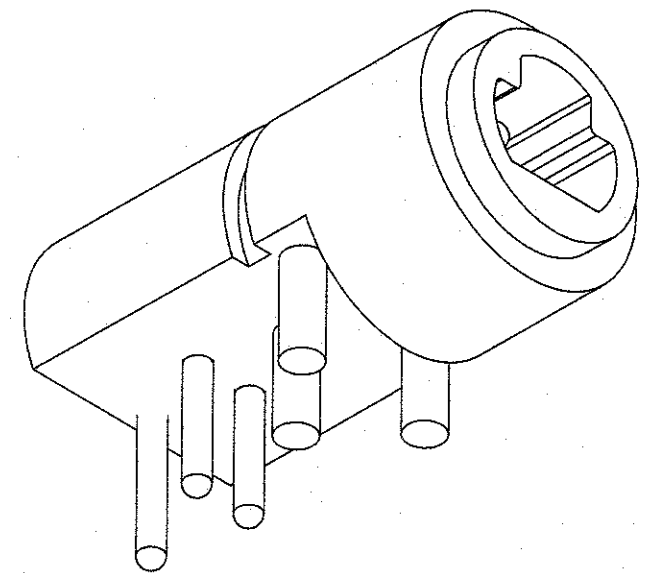
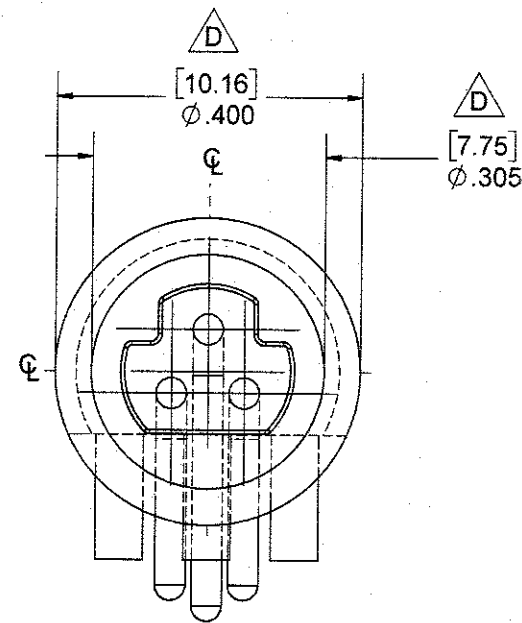
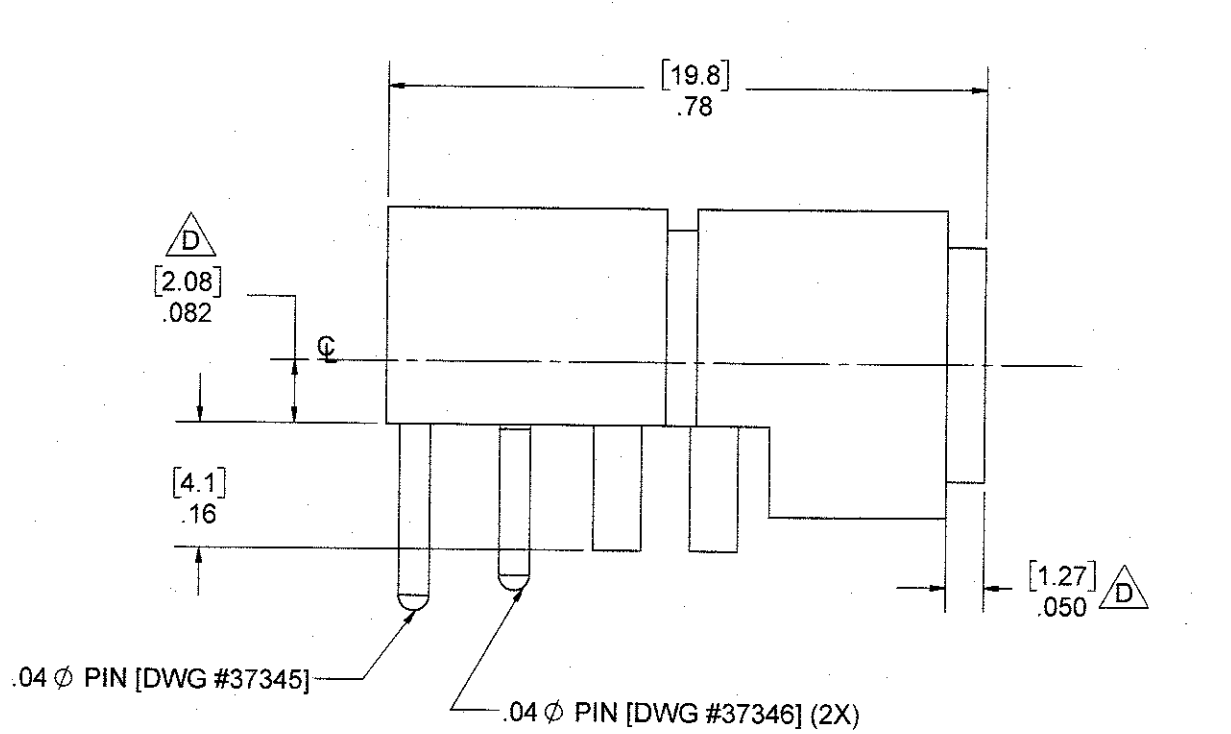


4

3

2

1



NOTES:

1. MATERIAL: ABS
OTHER MATERIALS AVAILABLE
2. SIGNAL CONTACT PLATING: SOFT NICKEL, THEN SOFT GOLD
3. PIN SETBACK: 0.08" [2.1MM]
EN 60601 TOUCHPROOF
4. GENERAL PERFORMANCE (CONTACT POI FOR TEST CONDITIONS)
EXTRACTION FORCE: .87 LB AVERAGE (3.9 N)
LIFE CYCLE: 1000+ INSERTION CYCLES
HIPOT: 1000 VAC between contacts
MAX. CURRENT: 8 AMPS
5. UL94 HB
6. WAVE SOLDERABLE
7. MATES WITH 44-SERIES & 444 PLUGS

REV	DESCRIPTION	DATE	BY
D	REV PER ECO 28666 XZ 2/17/17	3/28/17	SJA
C	REV PER ECO 26154 KDS 1/6/16 REDRAWN IN SOLIDWORKS	1/12/16	JAB
B	REL PER ECO 3233 SJ 12/15/97	12/17/97	SJ
A	REL PER ECO 3155 SJ 11/5/97	9/3/97	SJ
REVISIONS			

TOLERANCES		APPROVALS	DATE
UNLESS OTHERWISE SPECIFIED ALL DIMENSIONS IN INCHES DIMENSIONS IN [] METRIC		DRAWN S. JAMISON	11/5/97
FRACTIONAL ±1/64		CHECKED <i>T. Stump</i>	3/27/17
DECIMAL .00 ±.01 [.25mm] .000 ±.005 [.127mm]		PROJ ENGR	
ANGULAR ±.5°		APPROVED <i>K. Spoly</i>	3/27/17
		PROJECT 6938	FSCM

PlasticsOne	
Medical, Research & Audio Components 6591 MERRIMAN ROAD, S.W., ROANOKE, VA, 24018 PHONE: 540-772-7950 FAX: 540-989-7519	
TITLE JACK, 37929 1.0MM, 3 PIN	
SCALE 4:1	
SIZE B	DWG 37929-50
REV D	SHT 1 OF 1

THIS DRAWING CONTAINS CONFIDENTIAL AND PROPRIETARY INFORMATION AND MAY NOT BE ISSUED OR REPRODUCED, IN WHOLE, OR IN PART, WITHOUT THE EXPRESS WRITTEN PERMISSION OF PLASTICS ONE INC.