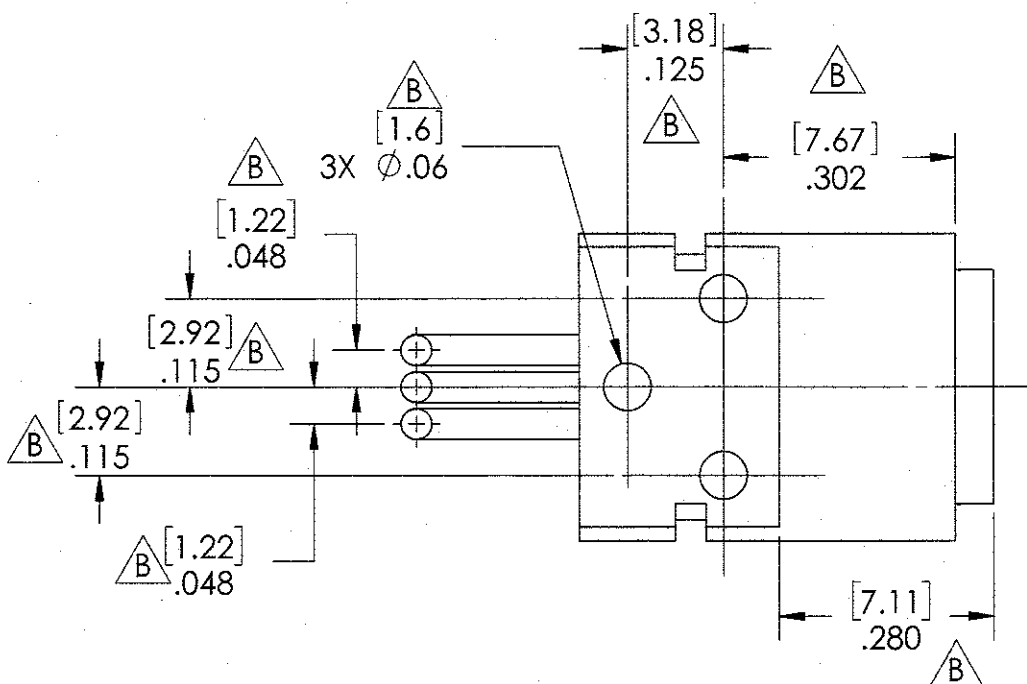
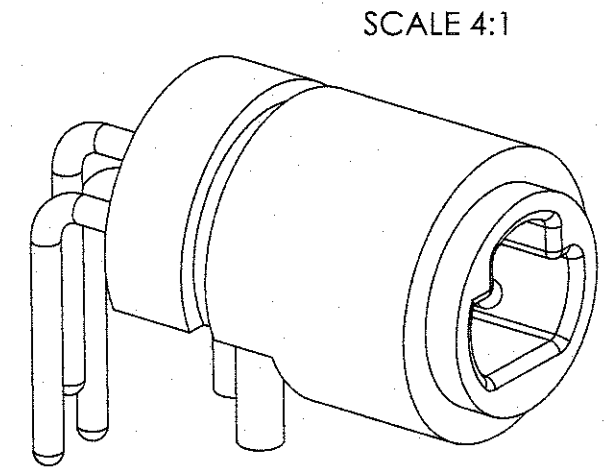
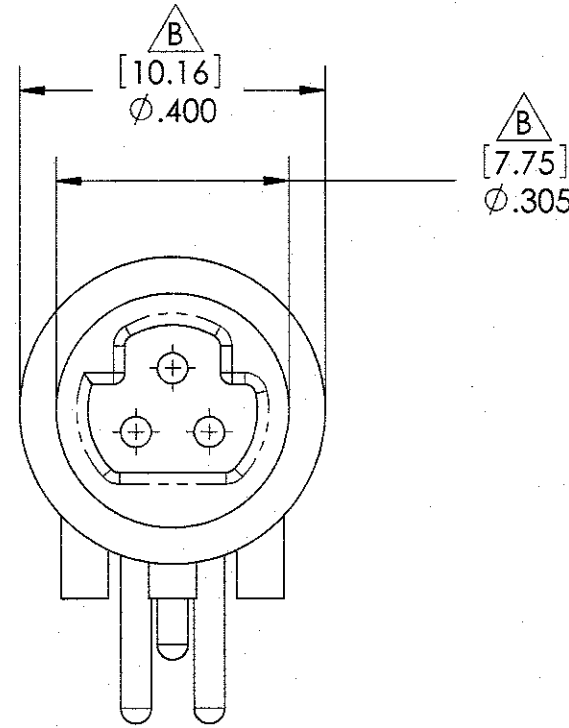
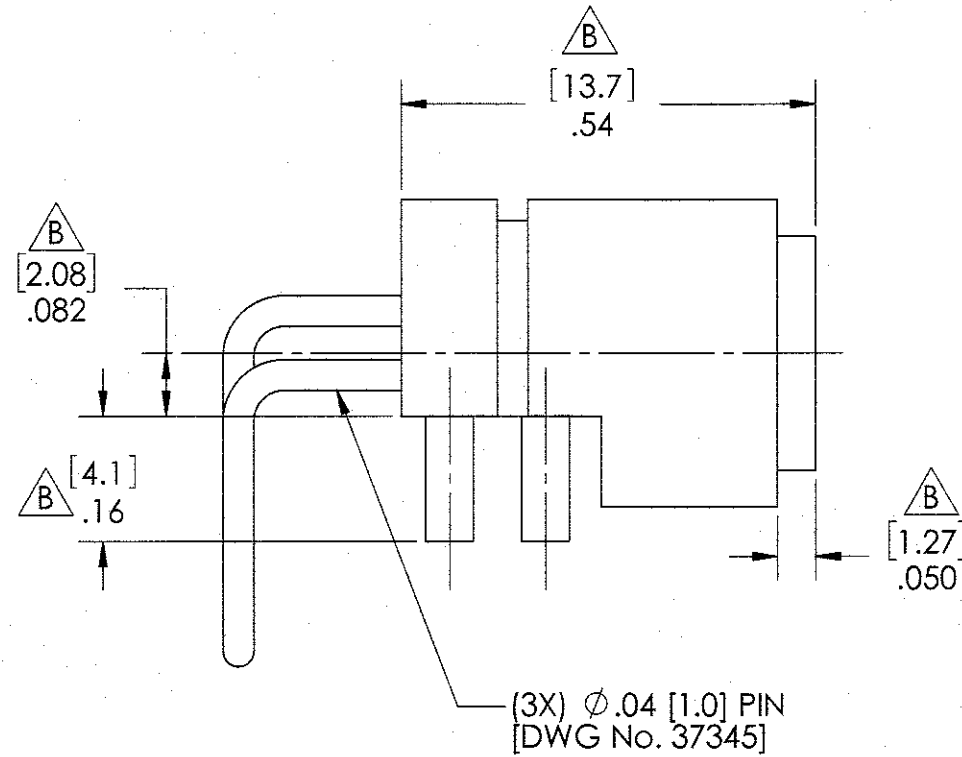


4

3

2

1



B

NOTES:

- MATERIAL: ABS
OTHER MATERIALS AVAILABLE
- SIGNAL CONTACT PLATING: SOFT NICKEL, THEN SOFT GOLD
- PIN SETBACK: 0.08" [2.1MM]
EN 60601 TOUCHPROOF
- GENERAL PERFORMANCE (CONTACT POI FOR TEST CONDITIONS)
EXTRACTION FORCE: .87 LB AVERAGE (3.9 N)
LIFE CYCLE: 1000+ INSERTION CYCLES
HIPOT: 1000 VAC between contacts
MAX. CURRENT: 8 AMPS
- UL94 HB
- WAVE SOLDERABLE
- MATES WITH 44-SERIES & 444 PLUGS

TOLERANCES UNLESS OTHERWISE SPECIFIED ALL DIMENSIONS IN INCHES DIMENSIONS IN [] METRIC	APPROVALS	DATE	PlasticsOne Medical, Research & Audio Components 6591 MERRIMAN ROAD, S.W., ROANOKE, VA, 24018 PHONE: 540-772-7950 FAX: 540-989-7519
	DRAWN S. JAMISON	11/5/97	
FRACTIONAL ±1/64	CHECKED <i>T. Sharp</i>	3/27/17	TITLE JACK, 37955 1.0MM, 3 PIN, COMCARE
DECIMAL .00 ±.01 [.25mm] .000 ±.005 [.127mm]	PROJ ENGR		SCALE 4:1
ANGULAR ±.5°	APPROVED <i>R. Spauldy</i>	3/27/17	SIZE DWG B 37955-50
	PROJECT 6938	FSCM	REV B SHT OF 1

REV	DESCRIPTION	DATE	BY
B	REV PER ECO 28666 XZ 2/17/17 REDRAWN SOLIDWORKS	3/28/17	SJA
A	RELEASE PER ECO 3155 SJ 11/5/97	11/11/97	SJ
REVISIONS			

THIS DRAWING CONTAINS CONFIDENTIAL AND PROPRIETARY INFORMATION AND MAY NOT BE ISSUED OR REPRODUCED, IN WHOLE, OR IN PART, WITHOUT THE EXPRESS WRITTEN PERMISSION OF PLASTICS ONE INC.

D

C

B

A