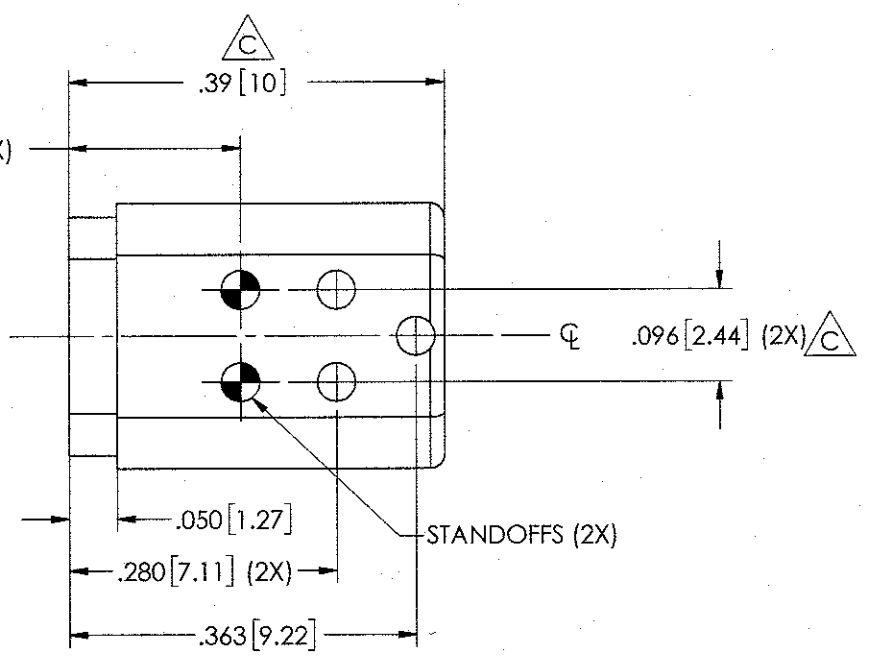
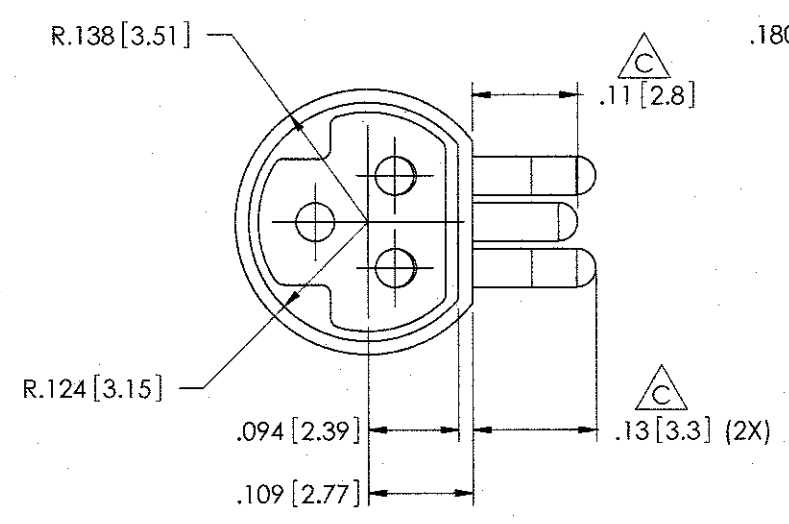
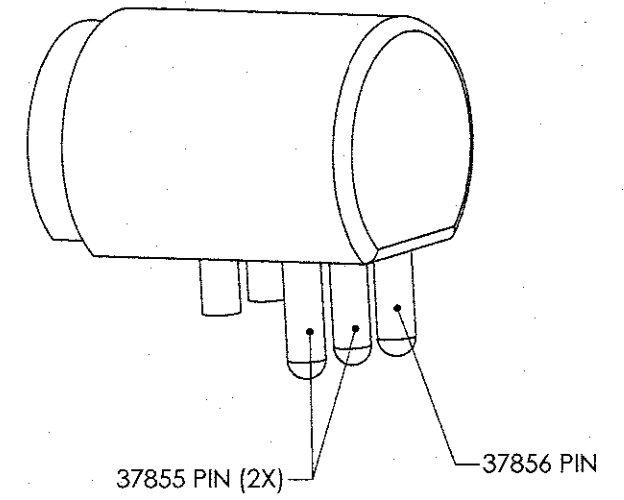
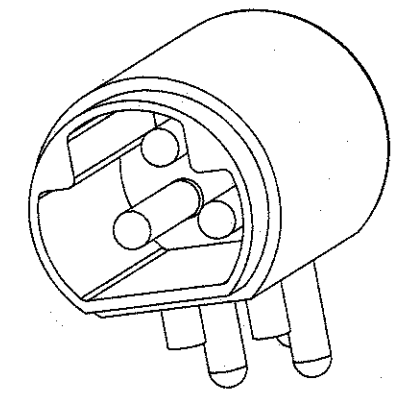
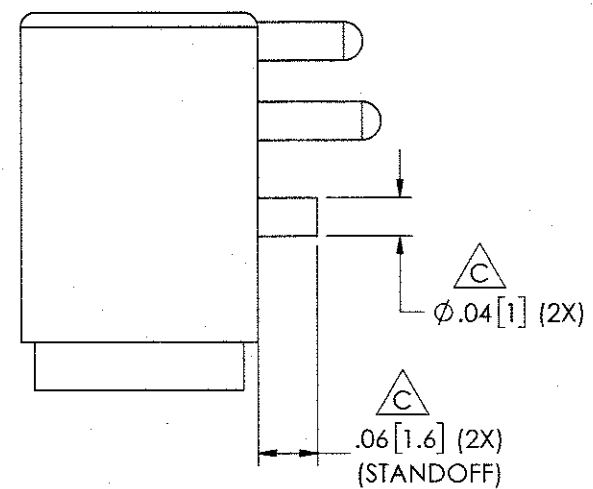


4 | | 3 | | 2 | | 1



- △ NOTES:
1. MATERIAL: PBT
OTHER MATERIALS AVAILABLE
 2. SIGNAL CONTACT PLATING: SOFT NICKEL, THEN SOFT GOLD
 3. PIN SETBACK: 0.07" [1.8MM]
EN 60601 TOUCHPROOF
 4. GENERAL PERFORMANCE (CONTACT POI FOR TEST CONDITIONS)
EXTRACTION FORCE: 1.1 LBS MINIMUM (4.9N)
LIFE CYCLE: 1000+ INSERTION CYCLES
HIPOT: 1000 VAC between contacts
5000 VDC TO ANY EXPOSED METAL COMPONENTS
MAX. CURRENT: 8 AMPS
 5. OPERATING TEMPERATURE: +5° C to +60° C
 6. UL94 V-0/5V
 7. WAVE SOLDERABLE
 8. MATES WITH 44-SERIES & 444 PLUGS

JDN

THIS DRAWING CONTAINS CONFIDENTIAL AND PROPRIETARY INFORMATION AND MAY NOT BE ISSUED OR REPRODUCED, IN WHOLE, OR IN PART, WITHOUT THE EXPRESS WRITTEN PERMISSION OF PLASTICS ONE INC.

REV	DESCRIPTION	DATE	APPVD
C	REV PER ECO 28666 XZ 2/17/17	3/28/17	SJA
B	REV PER ECO 8484 GSOX 1/26/05	3/30/05	GS
A	REL PER ECO 3270 SJ 1/8/98	1/15/98	SJ
REV	DESCRIPTION	DATE	APPVD

REVISIONS

TOLERANCES	APPROVALS	DATE
UNLESS OTHERWISE SPECIFIED ALL DIMENSIONS IN INCHES DIMENSIONS IN [] METRIC	DRAWN JAMISON	1/8/97
FRACTIONAL ±1/64	CHECKED T. Stamp	3/27/17
DECIMAL .00 ±.01 [.25mm] .000 ±.005 [.127mm]	PROJ ENGR	
ANGULAR ±.5°	APPROVED K. Equidy	3/27/17
	PROJECT 6978	FSCM

PlasticsOne
Medical, Research & Audio Components
6591 MERRIMAN ROAD, S.W., ROANOKE, VA, 24018
PHONE: 540-772-7950 FAX: 540-989-7519

TITLE JACK, 3 PIN, .040 TRIANGULAR
2 STANDOFFS .062 TALL

SCALE 5/1

SIZE B	DWG 38007-50	REV C	SHT OF 1
------------------	-----------------	----------	-------------