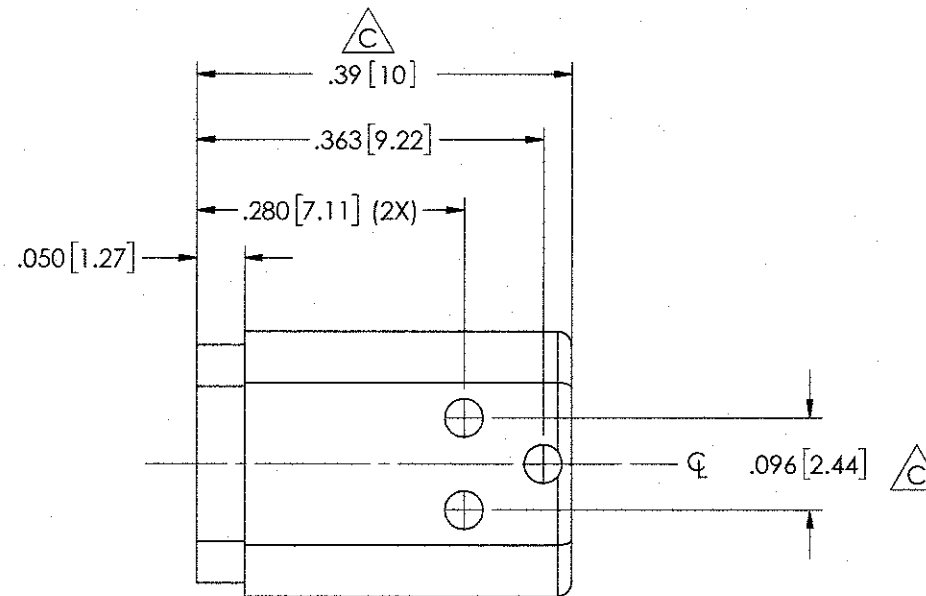
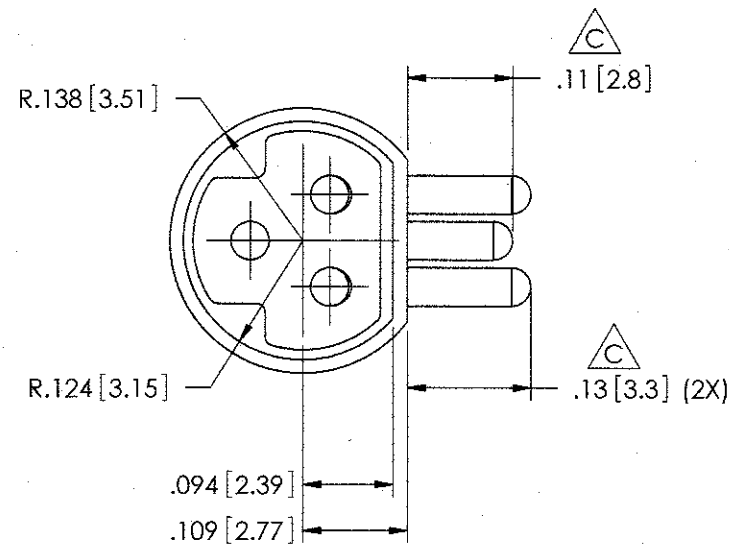
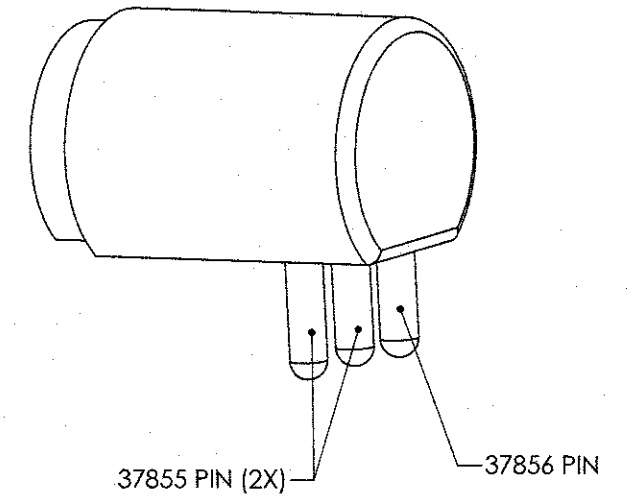
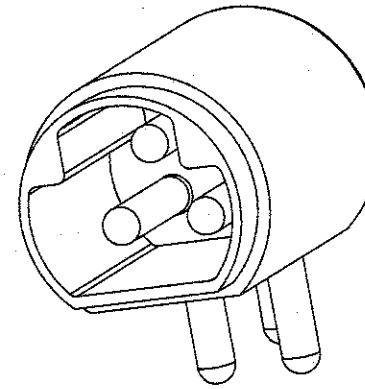
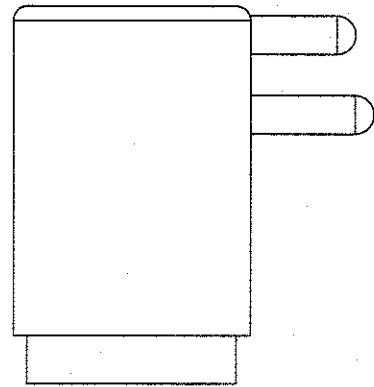


4

3

2

1



- NOTES:**
1. MATERIAL: PBT
OTHER MATERIALS AVAILABLE
 2. SIGNAL CONTACT PLATING: SOFT NICKEL, THEN SOFT GOLD
 3. PIN SETBACK: 0.07" [1.8MM]
EN 60601 TOUCHPROOF
 4. GENERAL PERFORMANCE (CONTACT POI FOR TEST CONDITIONS)
EXTRACTION FORCE: 1.1 LBS MINIMUM (4.9N)
LIFE CYCLE: 1000+ INSERTION CYCLES
HIPOT: 1000 VAC between contacts
5000 VDC TO ANY EXPOSED METAL COMPONENTS
MAX. CURRENT: 8 AMPS
 5. OPERATING TEMPERATURE: +5° C to +60° C
 6. UL94 V-0/5V
 7. WAVE SOLDERABLE
 8. MATES WITH 44-SERIES & 444 PLUGS

THIS DRAWING CONTAINS CONFIDENTIAL AND PROPRIETARY INFORMATION AND MAY NOT BE ISSUED OR REPRODUCED, IN WHOLE, OR IN PART, WITHOUT THE EXPRESS WRITTEN PERMISSION OF PLASTICS ONE INC.

REV	DESCRIPTION	DATE	APPVD
C	REV PER ECO 28666 XZ 2/17/17	3/28/17	SLR
B	REV PER ECO 8484 GSOX 1/26/05	3/30/05	GS
A	REL PER ECO 4241 XZ 4/30/99	5/3/99	XZ
REVISIONS			

TOLERANCES UNLESS OTHERWISE SPECIFIED ALL DIMENSIONS IN INCHES DIMENSIONS IN [] METRIC		APPROVALS	DATE	<h1>PlasticsOne</h1> <p>Medical, Research & Audio Components 6591 MERRIMAN ROAD, S.W., ROANOKE, VA, 24018 PHONE: 540-772-7950 FAX: 540-989-7519</p>
FRACTIONAL ±1/64	DECIMAL .00 ±.01 [.25mm] .000 ±.005 [.127mm]	DRAWN XZHOU	4/30/99	
ANGULAR ±.5°		CHECKED T. Stone	3/27/17	
		PROJ ENGR		
		APPROVED K. Spady	3/27/17	
		PROJECT 7108	FSCM	
		TITLE JACK, 3 PIN, .040 TRIANGULAR NO STANDOFFS		
		SCALE 5/1		
SIZE B	DWG 38253-50	REV C	SHT OF 1	