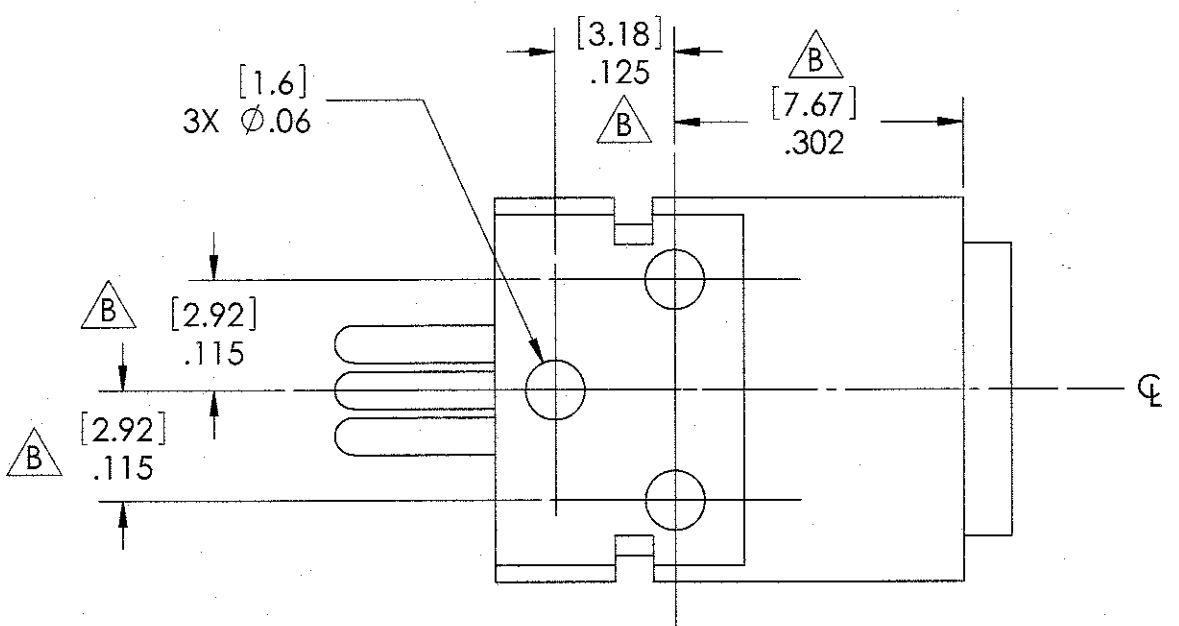
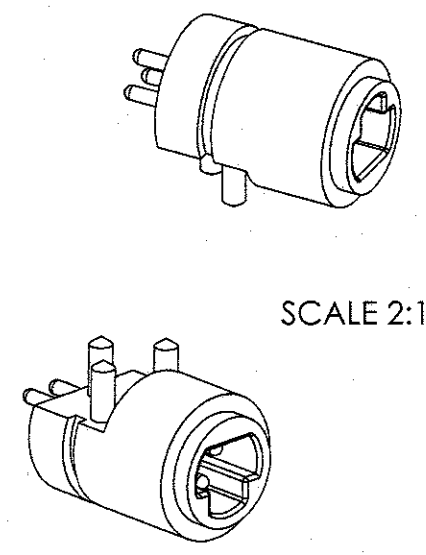
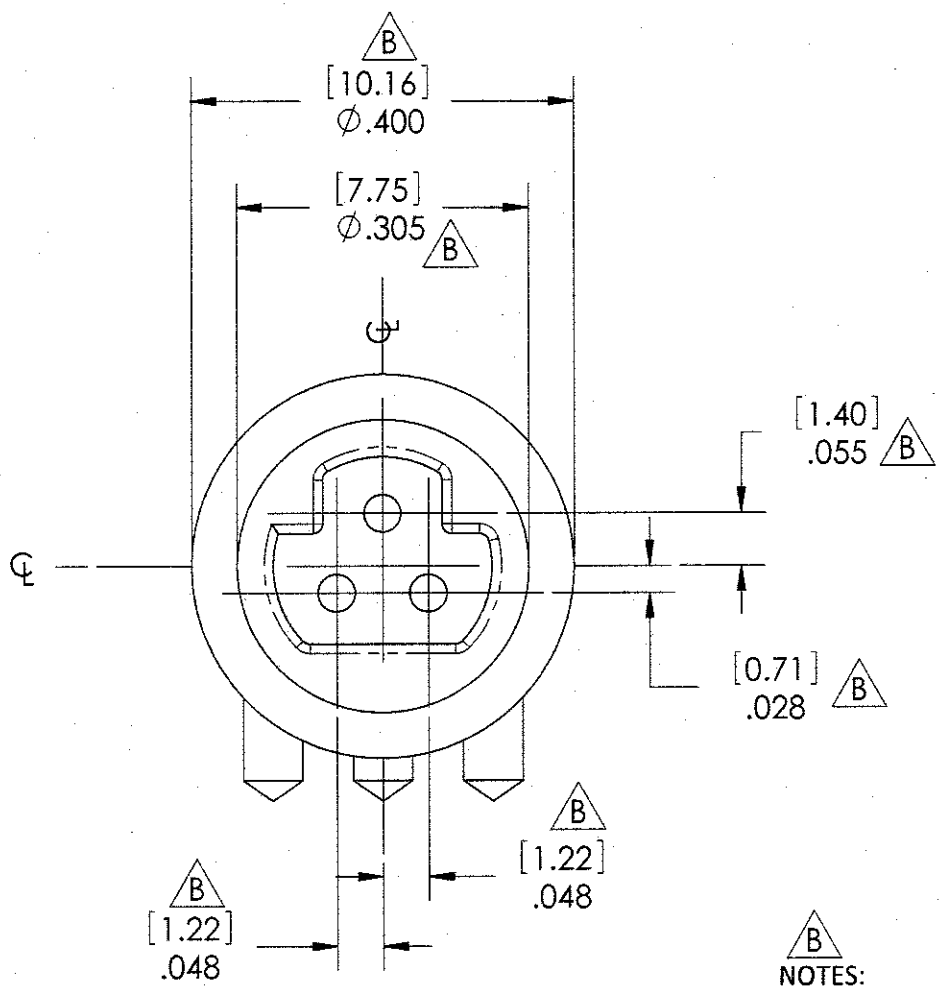
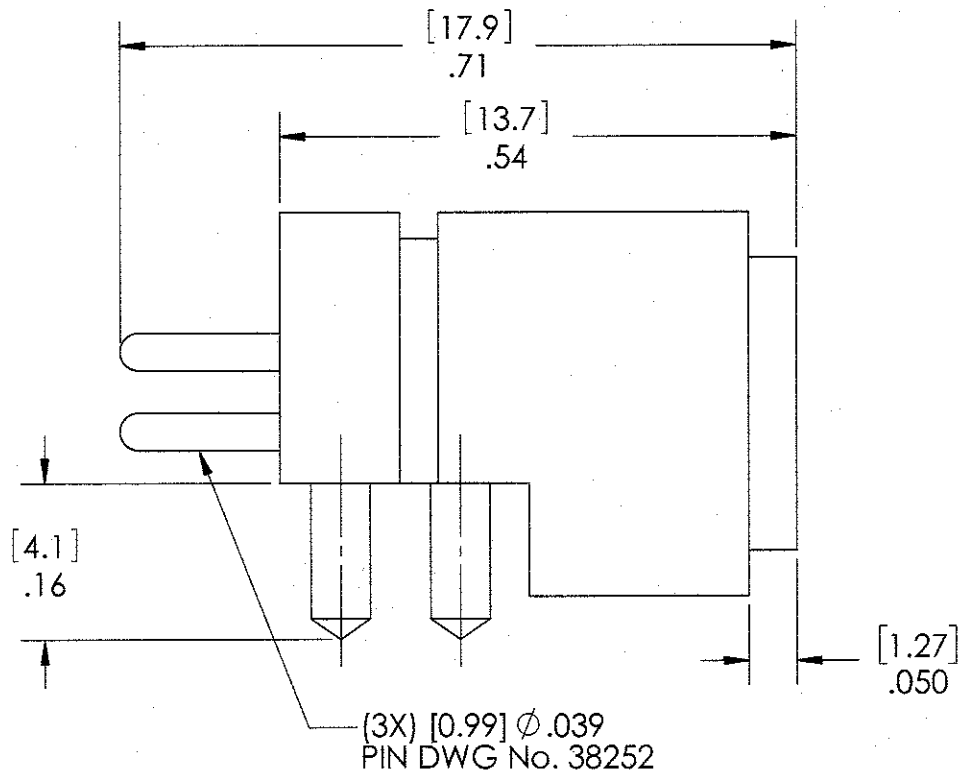


4 | | 3 | | 2 | | 1



**B**  
NOTES:

1. MATERIAL: ABS  
OTHER MATERIALS AVAILABLE
2. SIGNAL CONTACT PLATING: SOFT NICKEL, THEN SOFT GOLD
3. PIN SETBACK: 0.08" [2.1MM]  
EN 60601 TOUCHPROOF
4. GENERAL PERFORMANCE (CONTACT POI FOR TEST CONDITIONS)  
EXTRACTION FORCE: .87 LB AVERAGE (3.9 N)  
LIFE CYCLE: 1000+ INSERTION CYCLES  
HIPOT: 1000 VAC between contacts  
MAX. CURRENT: 8 AMPS
5. UL94 HB
6. WAVE SOLDERABLE
7. MATES WITH 44-SERIES & 444 PLUGS

THIS DRAWING CONTAINS CONFIDENTIAL AND PROPRIETARY INFORMATION AND MAY NOT BE ISSUED OR REPRODUCED, IN WHOLE, OR IN PART, WITHOUT THE EXPRESS WRITTEN PERMISSION OF PLASTICS ONE INC.

REV	DESCRIPTION	DATE	BY
B	REV PER ECO 28666 XZ 2/17/17	3/28/17	SLA
A	RELEASE PER ECO 18573 TAS 8/22/12	8/27/12	TAS

TOLERANCES UNLESS OTHERWISE SPECIFIED ALL DIMENSIONS IN INCHES DIMENSIONS IN [ ] METRIC		APPROVALS	DATE	<h1>PlasticsOne</h1> <p>Medical, Research &amp; Audio Components 6591 MERRIMAN ROAD, S.W., ROANOKE, VA, 24018 PHONE: 540-772-7950 FAX: 540-989-7519</p>
FRACTIONAL ±1/64	DRAWN T. STUMP		8/22/12	
	CHECKED <i>T. Stump</i>		3/28/17	
DECIMAL .00 ±.01 [.25mm] .000 ±.005 [.127mm]	PROJ ENGR			
	APPROVED <i>R. Spady</i>		3/28/17	
ANGULAR ±.5°	PROJECT	FSCM		
TITLE JACK, 1MM, 3 PIN, STRAIGHT		SCALE	5:1	
SIZE <b>B</b>	DWG 39111-50	REV B	SHT 1 OF 1	