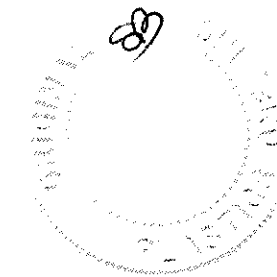
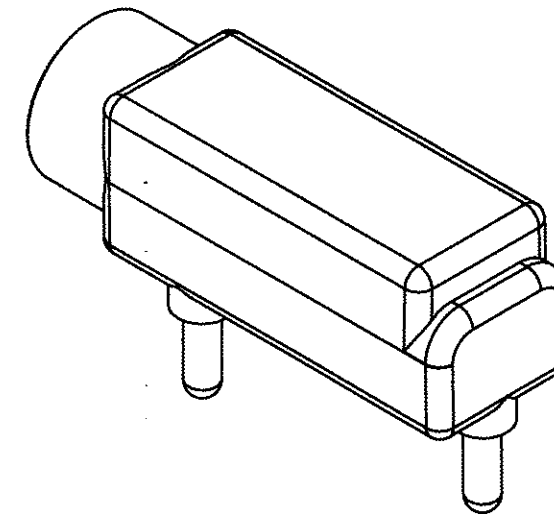


SECTION A-A  
SCALE 5 : 1



TOLERANCES UNLESS OTHERWISE SPECIFIED ALL DIMENSIONS IN INCHES DIMENSIONS IN [ ] METRIC		APPROVALS	DATE	<b>PlasticsOne</b> <b>Medical Design and Manufacture</b> 6591 MERRIMAN ROAD, S.W., ROANOKE, VA, 24018 PHONE: 540-772-7950 FAX: 540-989-7519
FRACTIONAL $\pm 1/64$  DECIMAL $.00 \pm .01$ [.25mm] $.000 \pm .005$ [.127mm]		DRAWN T. STUMP  CHECKED <i>[Signature]</i> PROJ ENGR	8/22/12  8/23/12	
ANGULAR $\pm .5^\circ$		APPROVED <i>[Signature]</i> PROJECT 7487	FSCM	TITLE JACK, 1mm RIGHT ANGLE PCB  SCALE 5/1
REVISIONS		SIZE B	DWG 39727-50	REV A SHT 1 OF 1

REV	DESCRIPTION	DATE	BY
A	RELEASE PER ECO 18573 TAS 8/22/12	8-27-12	TJS

THIS DRAWING CONTAINS CONFIDENTIAL AND PROPRIETARY INFORMATION AND MAY NOT BE ISSUED OR REPRODUCED, IN WHOLE, OR IN PART, WITHOUT THE EXPRESS WRITTEN PERMISSION OF PLASTICS ONE INC.