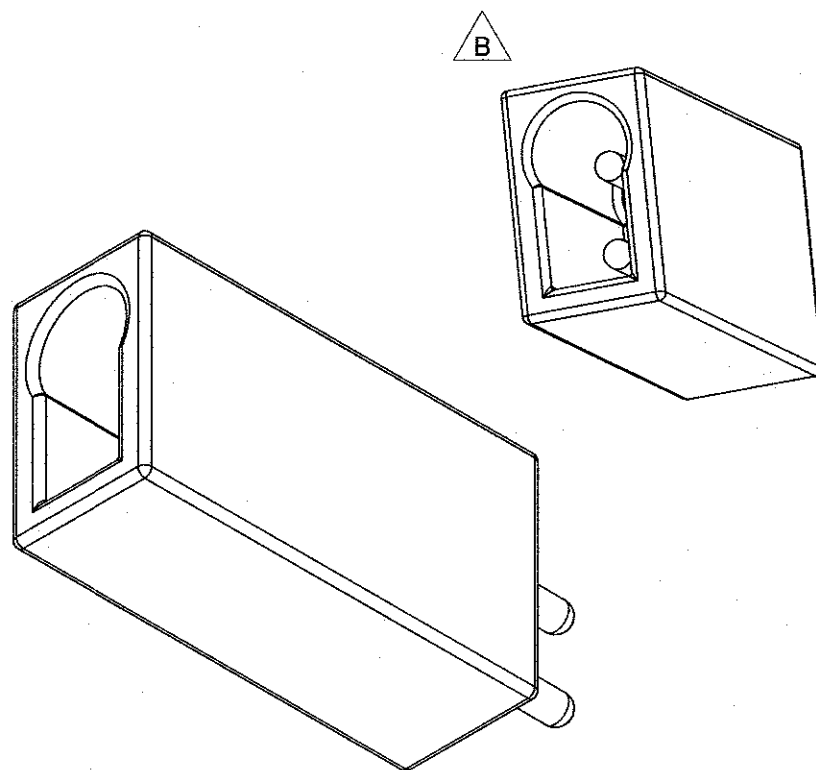
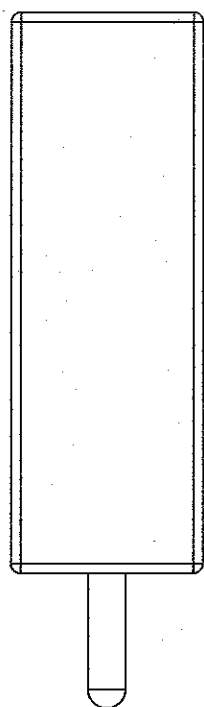
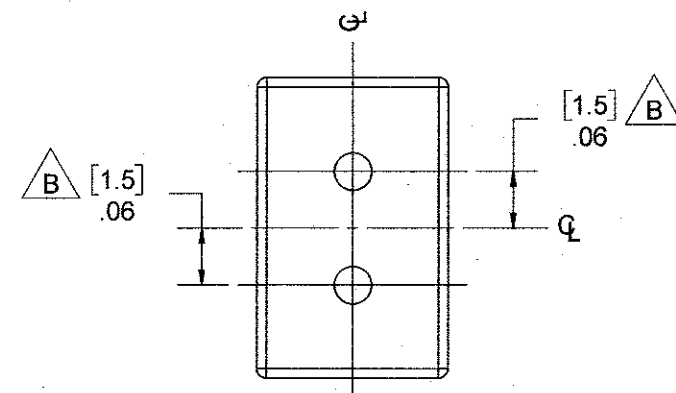
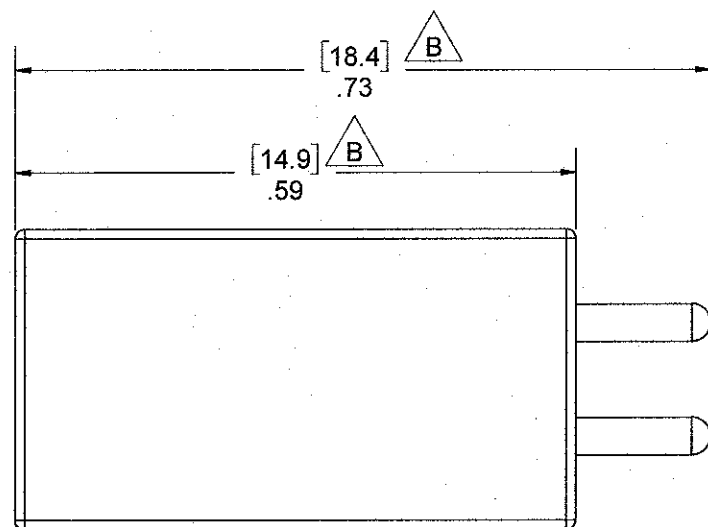


FRONT VIEW



**B** NOTES:

1. MATERIAL: PBT  
OTHER MATERIALS AVAILABLE
2. SIGNAL CONTACT PLATING: SOFT NICKEL, THEN SOFT GOLD
3. PIN SETBACK: 0.10" [2.5MM]  
EN 60601 TOUCHPROOF
4. GENERAL PERFORMANCE (CONTACT POI FOR TEST CONDITIONS)  
EXTRACTION FORCE: 1.2 LBS AVERAGE (5.3N)  
LIFE CYCLE: 1000+ INSERTION CYCLES  
HIPOT: 1000 VAC BETWEEN CONTACTS  
MAX CURRENT: 8 AMPS
5. OPERATING TEMPERATURE: +5° C TO +60° C
6. UL94 V-0/5V
7. WAVE SOLDERABLE

TOLERANCES  
UNLESS OTHERWISE SPECIFIED  
ALL DIMENSIONS IN INCHES  
DIMENSIONS IN [ ] METRIC

FRACTIONAL  
±1/64  
DECIMAL  
.00 ±.01 [.25mm]  
.000 ±.005 [.127mm]  
ANGULAR  
±.5°

APPROVALS	DATE
DRAWN X ZHOU	6/17/11
CHECKED KOS	10/11/16
PROJ ENGR	
APPROVED K. Gandy	10/14/16
PROJECT	FSCM

**PlasticsOne**

Medical, Research & Audio Components  
6591 MERRIMAN ROAD, S.W., ROANOKE, VA, 24018  
PHONE: 540-772-7950 FAX: 540-989-7519

TITLE JACK, STRAIGHT, PCB, 1mm

SCALE 5:1

SIZE DWG  
**B** 39899-50

REV B SHT 1 OF 1

REV	DESCRIPTION	DATE	BY
B	REV PER ECO 27895 TAS 10/6/11	10/18/16	SCA
A	RELEASE PER ECO 15886 XZ 6/16/11	6/23/11	XZ
REVISIONS			

THIS DRAWING CONTAINS CONFIDENTIAL AND PROPRIETARY INFORMATION AND MAY NOT BE ISSUED OR REPRODUCED, IN WHOLE, OR IN PART, WITHOUT THE EXPRESS WRITTEN PERMISSION OF PLASTICS ONE INC.