

4

|

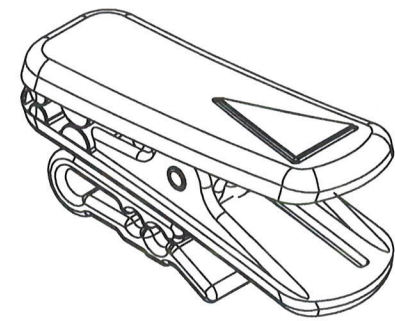
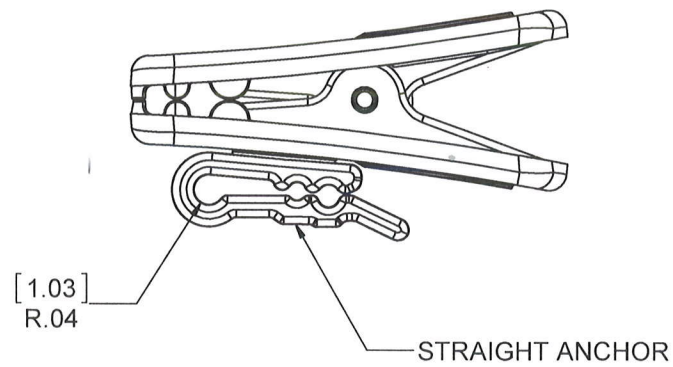
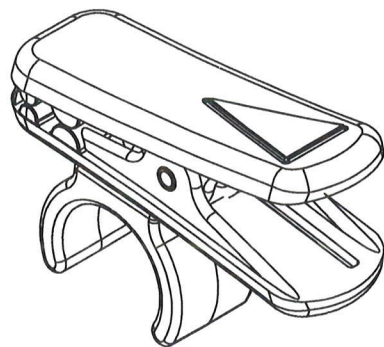
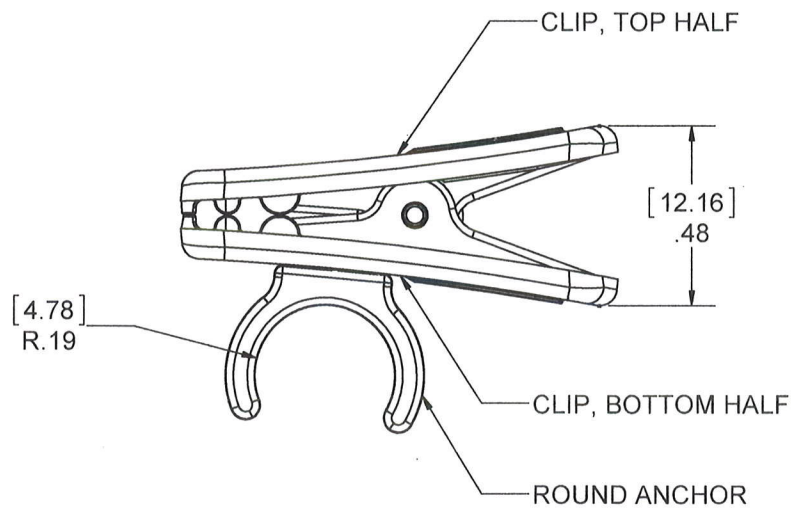
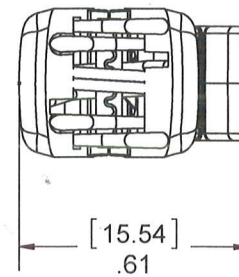
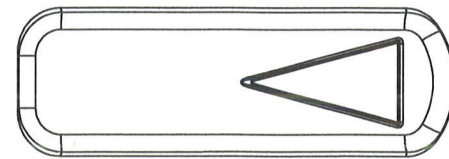
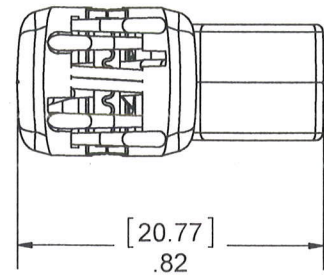
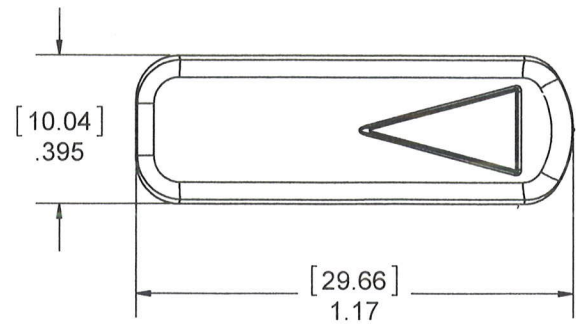
3

|

2

|

1



NOTES:
 1. METRIC DIMENSIONS IN PARENTHESIS
 2. MATERIAL: ABS

THIS DRAWING CONTAINS CONFIDENTIAL AND PROPRIETARY INFORMATION AND MAY NOT BE ISSUED OR REPRODUCED, IN WHOLE, OR IN PART, WITHOUT THE EXPRESS WRITTEN PERMISSION OF PLASTICS ONE INC.

REV	DESCRIPTION	DATE	BY
A	REL PER ECO 23690 MJV 11/20/14	1/22/15	SCA
REVISIONS			

TOLERANCES UNLESS OTHERWISE SPECIFIED ALL DIMENSIONS IN INCHES DIMENSIONS IN [] METRIC		APPROVALS DRAWN MJV	DATE 11/20/14	PlasticsOne Medical Design and Manufacture 6591 MERRIMAN ROAD, S.W., ROANOKE, VA, 24018 PHONE: 540-772-7950 FAX: 540-989-7519
FRACTIONAL $\pm 1/64$		CHECKED DJD	1/21/15	
DECIMAL .00 \pm .01 [.25mm] .000 \pm .005 [.127mm]		PROJ ENGR		
ANGULAR $\pm .5^\circ$		APPROVED [Signature]	1/21/15	
		PROJECT	FSCM	
TITLE ASSEMBLY, CLIP, LAPEL			SCALE 2/1	
SIZE B	DWG 40165-50	REV A	SHT 1 OF 1	

D

C

B

A