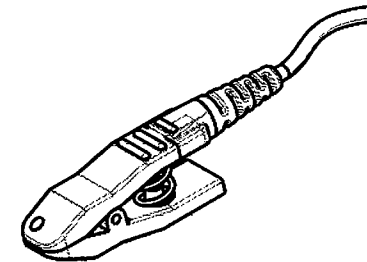
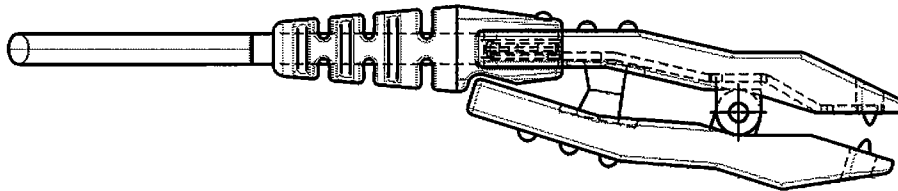
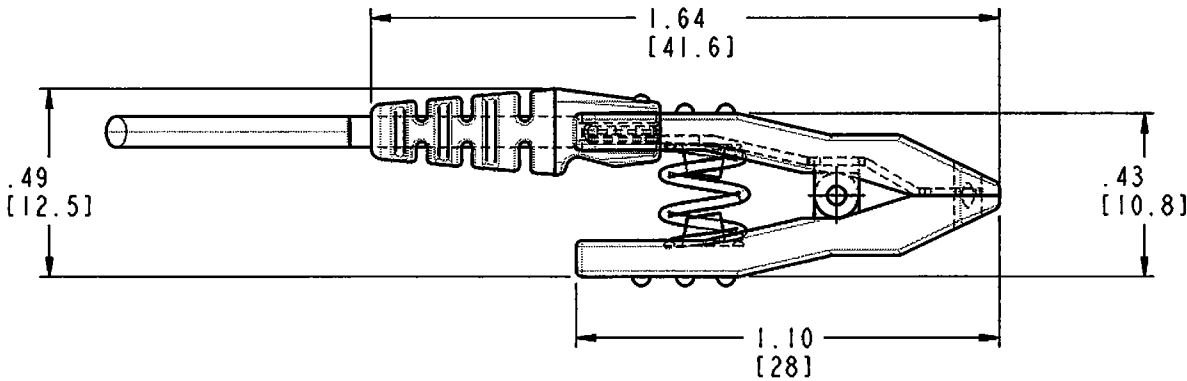
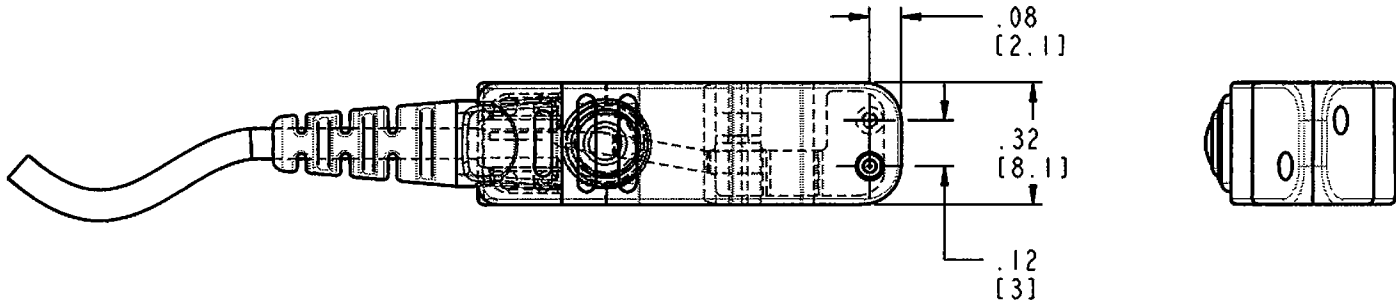


DWG

2541-50



SCALE 1:1

TOLERANCES
UNLESS OTHERWISE SPECIFIED
ALL DIMENSIONS IN INCHES
DIMENSIONS IN [] METRIC

FRACTIONAL
±1/64

DECIMAL
.00 ±.01 [.25mm]
.000 ±.005 [.127mm]

ANGULAR
±.5°

APPROVALS	DATE
DRAWN BBRINDLE	1/25/01
CHECKED <i>[Signature]</i>	02/01/01
PROJ ENGR	
APPROVED <i>[Signature]</i>	2/1/01
PROJECT 7221-01	FSCM

Plastics ONE[®]
MOLDING THE FUTURE
6591 MERRIMAN ROAD, S.W., ROANOKE, VA, 24018
PHONE: 540-772-7950 FAX: 540-989-7519

TITLE CLIP, 401		SCALE 2:1	
SIZE A	DWG 2541-50	REV D	SHT OF 1

REV	DESCRIPTION	APPROVAL DATE	APPROVED BY
D	ADD BEND BEND RELIEF, REDRAW PRO/E PER ECO 5423 1/30/01 /BB	2/1/01	BB

THIS DRAWING CONTAINS PROPRIETARY INFORMATION AND MAY NOT BE ISSUED OR REPRODUCED IN WHOLE OR IN PART, WITHOUT EXPRESS WRITTEN PERMISSION OF PLASTICS ONE INC