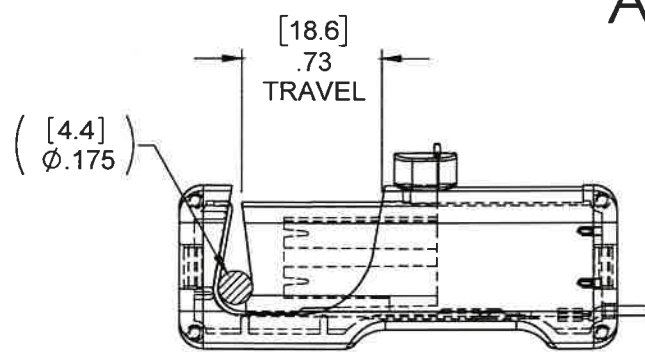
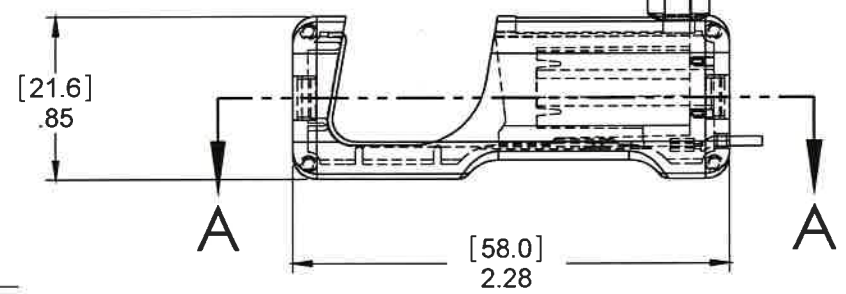
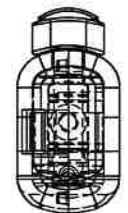
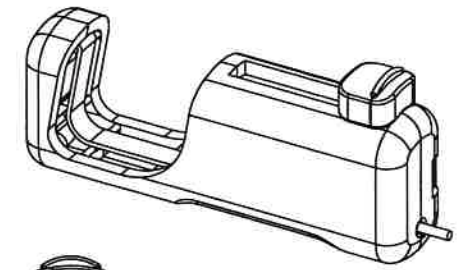
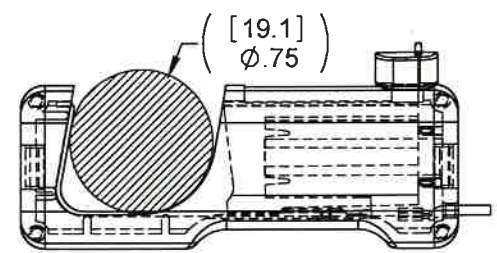


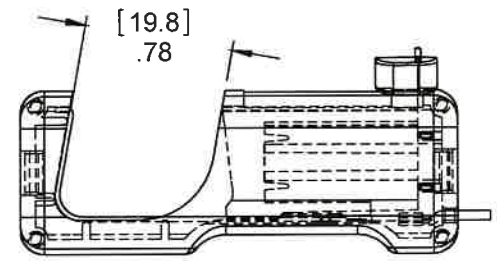
SECTION A-A



.175 DIA CLAMP CONDITION



.750 DIA CLAMP CONDITION



FULLY OPEN (LOADING) CONDITION

REV	DESCRIPTION	APPROVAL DATE	APPROVED BY
A	RELEASE PER ECO 32041 WDS 9/5/18	9/6/18	[Signature]

THIS DRAWING CONTAINS CONFIDENTIAL AND PROPRIETARY INFORMATION AND MAY NOT BE ISSUED OR REPRODUCED, IN WHOLE, OR IN PART, WITHOUT THE EXPRESS WRITTEN PERMISSION OF PLASTICS ONE INC.

<p>TOLERANCES UNLESS OTHERWISE SPECIFIED ALL DIMENSIONS IN INCHES DIMENSIONS IN [] METRIC</p> <p>FRACTIONAL ±1/64</p> <p>DECIMAL .00 ±.01 [.25mm] .000 ±.005 [.127mm]</p> <p>ANGULAR ±.5°</p>	APPROVALS	DATE
	DRAWN WDS	9/5/18
	CHECKED [Signature]	9/5/18
	PROJECT 7538	FSCM
	APPROVED [Signature]	9/5/18

PlasticsOne
 Medical, Research & Audio Components
 6591 MERRIMAN ROAD, S.W., ROANOKE, VA, 24018
 PHONE: 540-772-7950 FAX: 540-989-7519

TITLE
CONNECTOR, 556 INSTRUMENT CLIP

SCALE 1:1

SIZE A	DWG 40230-50	REV A	SHT 1 OF 1
------------------	-----------------	----------	---------------