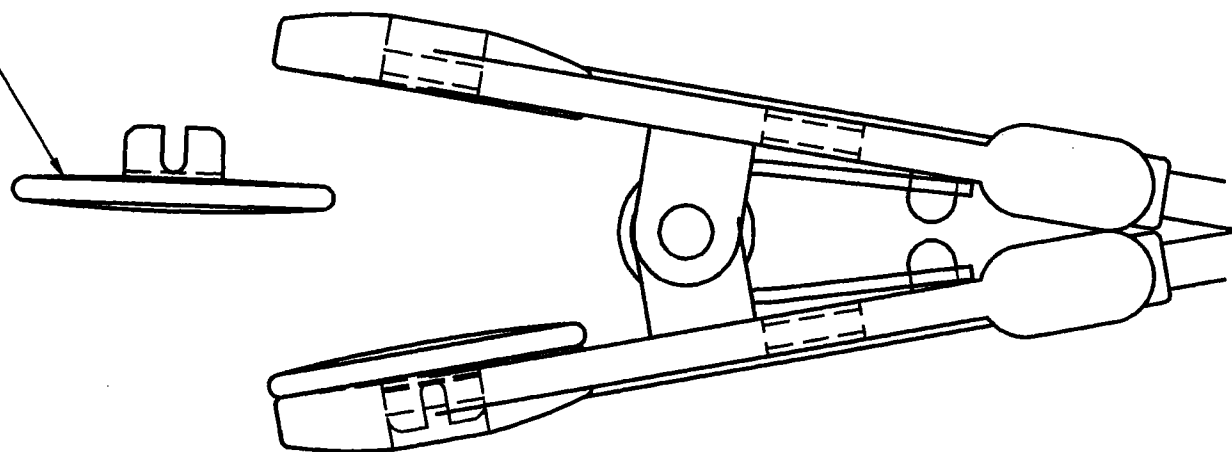


SILVER/SILVER CHLORIDE SNAP ON ELECTRODE DISK



TOLERANCES UNLESS OTHERWISE SPECIFIED ALL DIMENSIONS IN INCHES DIMENSIONS IN [] METRIC	APPROVALS DRAWN <i>Sinclair</i>	DATE JAN. 24, 1995	 HOLDING THE FUTURE	
	CHECKED			6591 MERRIMAN ROAD, S.W., ROANOKE, VA, 24018 PHONE: 703-772-7950 FAX: 703-989-7519
	FRACTIONAL $\pm 1/64$	PROJ ENGR <i>Sinclair</i>	JAN. 24, 1995	TITLE CLIP, ASSEMBLY, EAR, 407, 10mm
	DECIMAL $.00 \pm .01$ [.25mm] $.000 \pm .005$ [.127mm]	APPROVED <i>[Signature]</i>	11-10-95	SCALE 4X
ANGULAR $\pm .5^\circ$	PROJECT 1509	FSCM	SIZE B	
REV.			DWG 37054-50	
DESCRIPTION			REV A	
REL PER ECO 1481 SJ 10/23/95 11-10-95			SHT 1 OF 1	