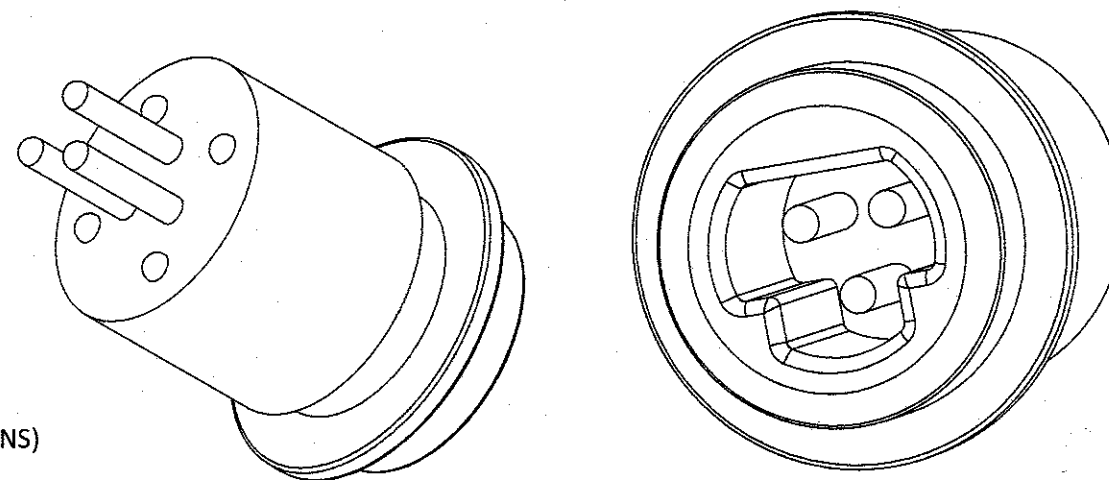
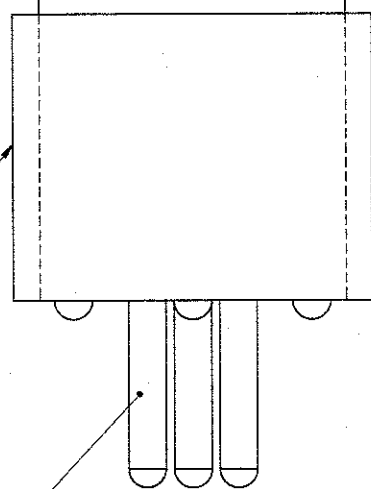
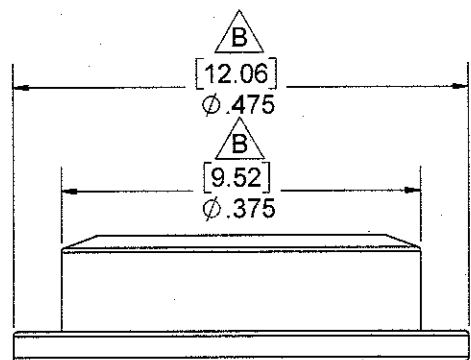
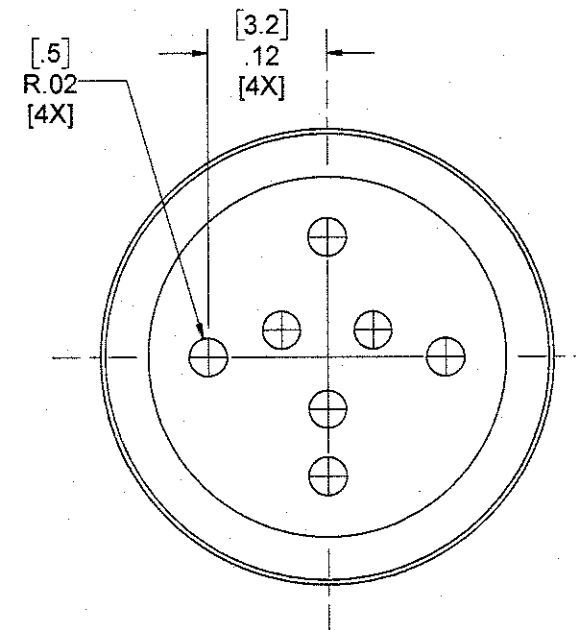
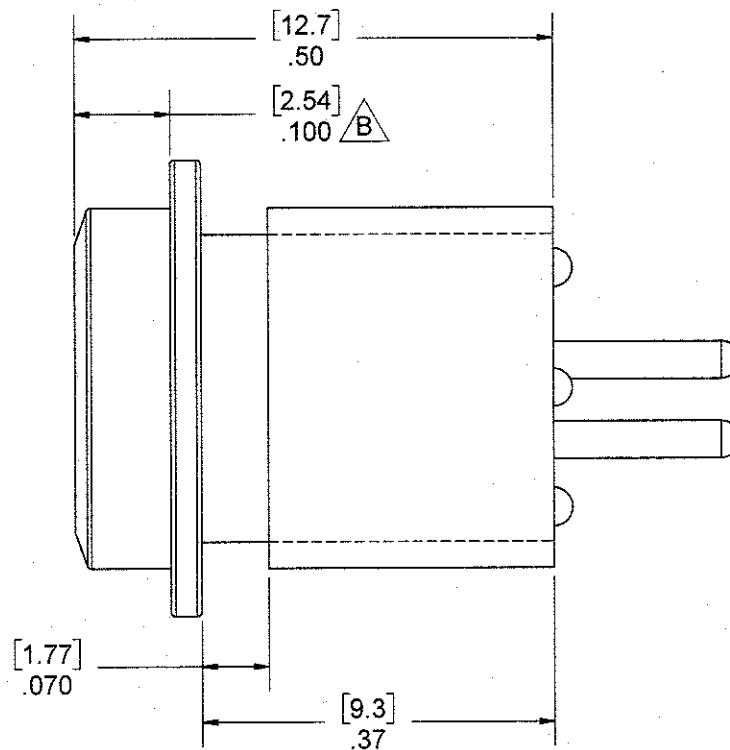
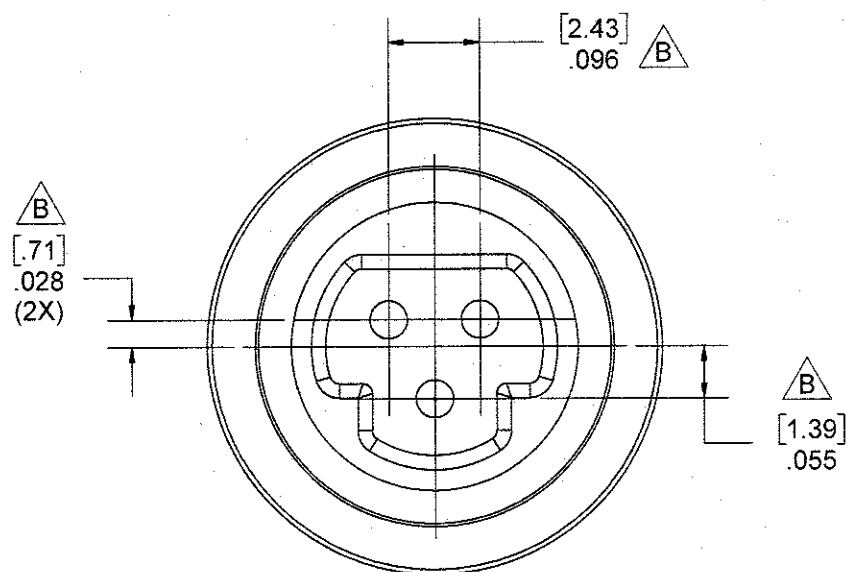


4

3

2

1



B

NOTES:

- 1. MATERIAL: PBT
OTHER MATERIALS AVAILABLE
- 2. SIGNAL CONTACT PLATING: SOFT NICKEL, THEN SOFT GOLD
- 3. PIN SETBACK: 0.07" [1.8MM]
EN 60601 TOUCHPROOF
- 4. GENERAL PERFORMANCE (CONTACT POI FOR TEST CONDITIONS)
EXTRACTION FORCE: .89 LBS AVERAGE (4 N)
LIFE CYCLE: 1000+ INSERTION CYCLES
HIPOT: 1000 VAC between contacts
MAX. CURRENT: 8 AMPS
- 5. OPERATING TEMPERATURE: +5° C to + 60° C
- 6. UL94 V-0/5V
- 7. WAVE SOLDERABLE
- 8. MATES WITH 44-SERIES & 444 PLUGS

3/8-24 THREAD.

38252 PIN (3X)

REV	DESCRIPTION	DATE	BY
B	REV PER ECO 28666 XZ 2/17/17	3/28/17	SVA
A	REL PER ECO 15695 XZ 5/18/11	6/8/11	MKK
REVISIONS			

TOLERANCES		APPROVALS	DATE	<h1>PlasticsOne</h1> <p>Medical, Research & Audio Components 6591 MERRIMAN ROAD, S.W., ROANOKE, VA, 24018 PHONE: 540-772-7950 FAX: 540-989-7519</p>
UNLESS OTHERWISE SPECIFIED ALL DIMENSIONS IN INCHES DIMENSIONS IN [] METRIC		DRAWN XZHOU	5/18/11	
FRACTIONAL ±1/64		CHECKED T. Stump	3/27/17	
DECIMAL .00 ±.01 [.25mm] .000 ±.005 [.127mm]		PROJ ENGR		
ANGULAR ±.5°		APPROVED K. Spady	3/27/17	TITLE JACK, 3 PIN, PANEL MOUNT, THREADED.
		PROJECT 7694	FSCM	SCALE 5/1
SIZE B	DWG 41091-50	REV B	SHT OF 1	

THIS DRAWING CONTAINS CONFIDENTIAL AND PROPRIETARY INFORMATION AND MAY NOT BE ISSUED OR REPRODUCED, IN WHOLE, OR IN PART, WITHOUT THE EXPRESS WRITTEN PERMISSION OF PLASTICS ONE INC.

JDN