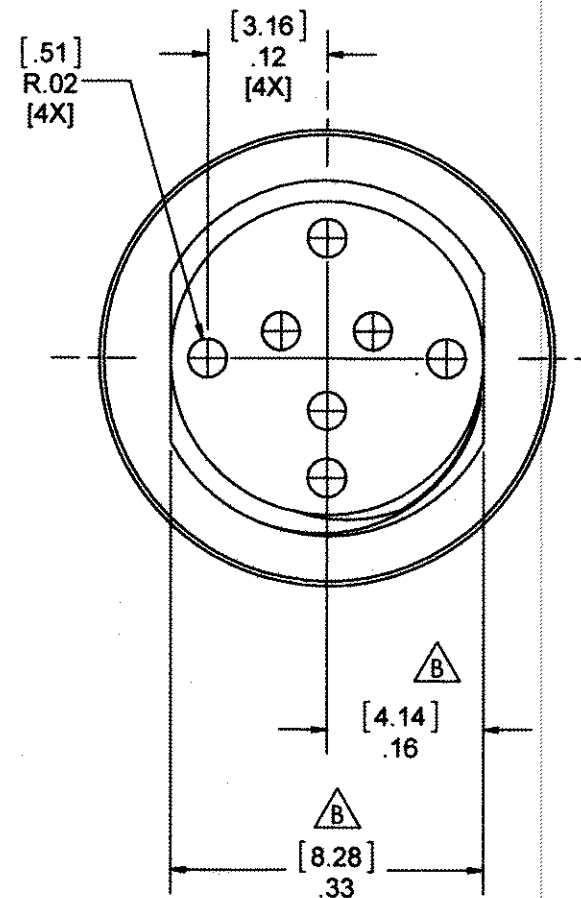
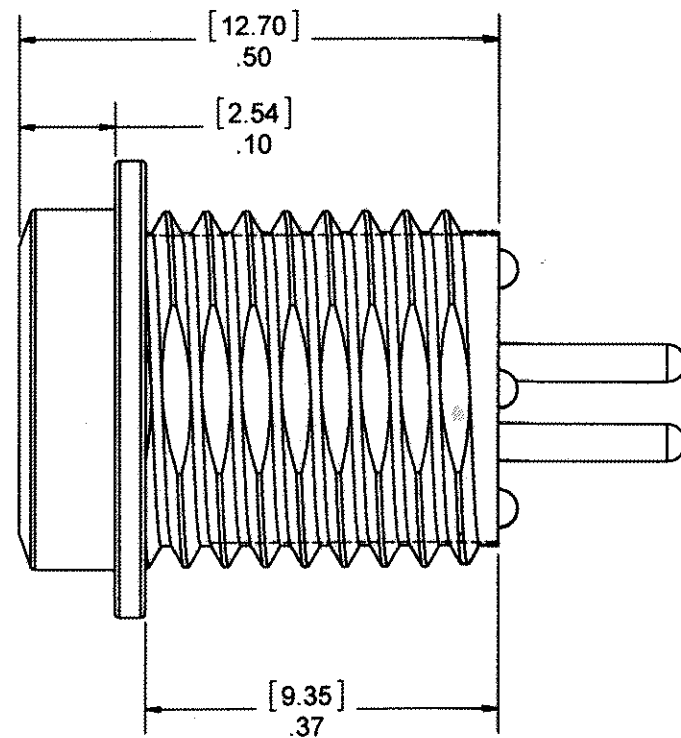
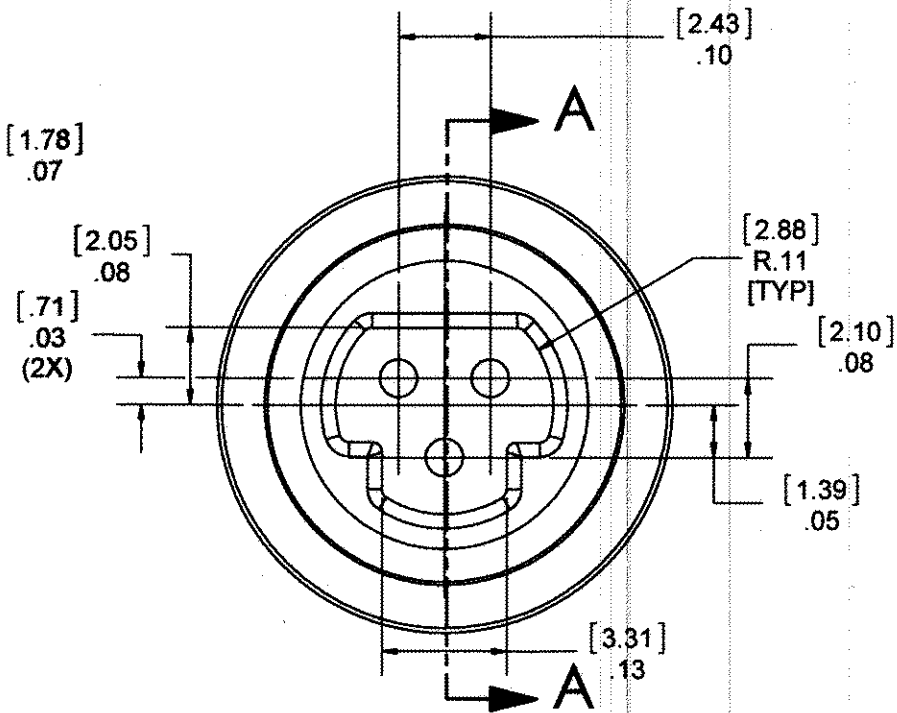
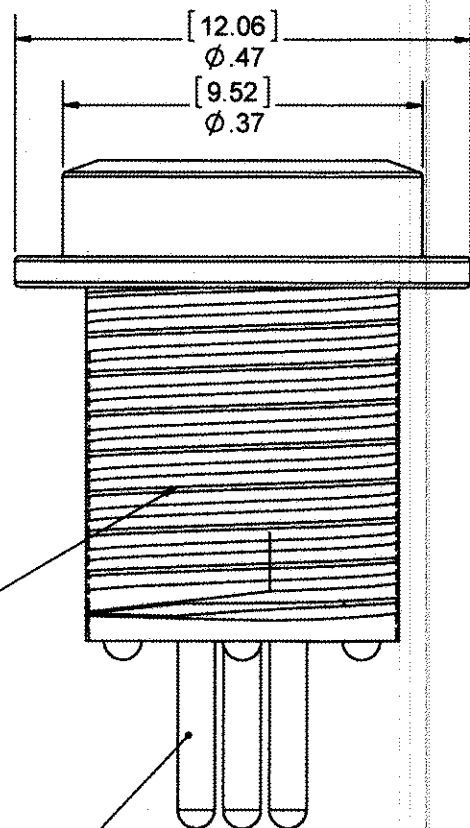


SECTION A-A
SCALE 5:1

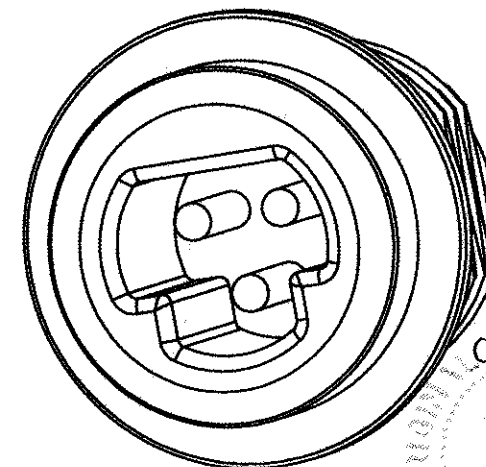
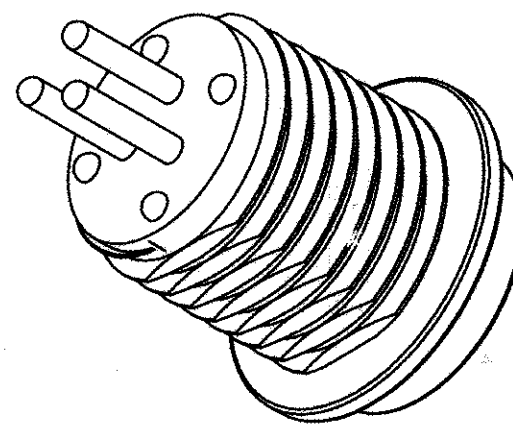


B
EXTENDED THREADS
TO FLANGE, REMOVED
DIMENSION, ADDED
MODELED THREADS.



3/8-24 THREAD.

38252 PIN (3X)



THIS DRAWING CONTAINS CONFIDENTIAL AND PROPRIETARY INFORMATION AND MAY NOT BE ISSUED OR REPRODUCED, IN WHOLE, OR IN PART, WITHOUT THE EXPRESS WRITTEN PERMISSION OF PLASTICS ONE INC.

REV	DESCRIPTION	DATE	BY
B	REV PER ECO 21834 WDS 2/18/14	2/24/14	WDS
A	REL PER ECO 21736 WDS 1/31/14	2/10/14	PLB
	REVISIONS		

TOLERANCES		APPROVALS	DATE	PlasticsOne Medical Design and Manufacture 6591 MERRIMAN ROAD, S.W., ROANOKE, VA, 24018 PHONE: 540-772-7950 FAX: 540-989-7519
UNLESS OTHERWISE SPECIFIED ALL DIMENSIONS IN INCHES DIMENSIONS IN [] METRIC		DRAWN WDS	2/2/14	
FRACTIONAL ±1/64		CHECKED K. Galy	2/21/14	
DECIMAL .00 ±.01 [.25mm] .000 ±.005 [.127mm]		PROJECT MGR K. Galy		
ANGULAR ±.5°		APPROVED K. Galy	2/21/14	
		PROJECT 7694	FSCM	
SIZE B	DWG 41820-50	SCALE 5/1	REV B	SHT 1 OF 1