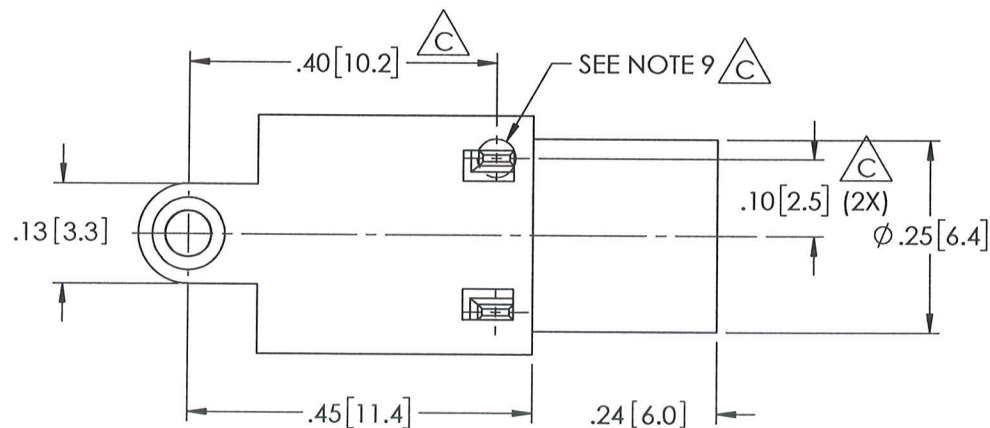
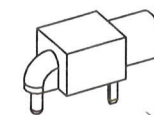


AUX VIEWS
SCALE: 1:1



NOTES:

1. MATERIAL: PBT
OTHER MATERIALS AVAILABLE
2. SIGNAL CONTACT PLATING: SOFT NICKEL, THEN SOFT GOLD
3. DUMMY CONTACT PLATING: SOFT NICKEL
4. PIN SETBACK: 0.08" [2MM]
EN 60601 TOUCHPROOF
5. GENERAL PERFORMANCE (CONTACT POI FOR TEST CONDITIONS)
EXTRACTION FORCE: 2-7 lbs
LIFE CYCLE: 1000+ INSERTION CYCLES
HIPOT: 1000 VAC
MAX. CURRENT: 8 AMPS
6. OPERATING TEMPERATURE: +5° C to + 60° C
7. UL94 V-0/5V
8. WAVE SOLDERABLE
9. USE .050" [1.3] DIAMETER FOR CALCULATING PCB HOLE DIAMETER

REV	DESCRIPTION	DATE	APPVD
C	REV PER ECO 27895 TAS 10/7/16	10/18/16	SLH
B	REV PER ECO 24909 SLH 6/10/15	3/2/16	SLH
A	RELEASE PER ECO 22882 XZ 8/1/14	8/12/14	SLH

REVISIONS

THIS DRAWING CONTAINS CONFIDENTIAL AND PROPRIETARY INFORMATION AND MAY NOT BE ISSUED OR REPRODUCED, IN WHOLE, OR IN PART, WITHOUT THE EXPRESS WRITTEN PERMISSION OF PLASTICS ONE INC.

TOLERANCES	APPROVALS	DATE
UNLESS OTHERWISE SPECIFIED ALL DIMENSIONS IN INCHES DIMENSIONS IN [] METRIC	DRAWN X ZHOU	8/1/14
FRACTIONAL ±1/64	CHECKED KOS	10/11/16
DECIMAL .00 ±.01 [.25mm] .000 ±.005 [.127mm]	PROJ ENGR	
ANGULAR ±.5°	APPROVED K. Gopuly	10/14/16
	PROJECT 7792	FSCM

PlasticsOne
 Medical, Research & Audio Components
 6591 MERRIMAN ROAD, S.W., ROANOKE, VA, 24018
 PHONE: 540-772-7950 FAX: 540-989-7519

TITLE JACK, PCB, 1.5mm, TOUCHPROOF
 WAVE SOLDER VERSION WITH STAMPINGS

SCALE 4:1

SIZE A	DWG 41828-50	REV C	SHT 1 OF 1
------------------	-----------------	----------	---------------