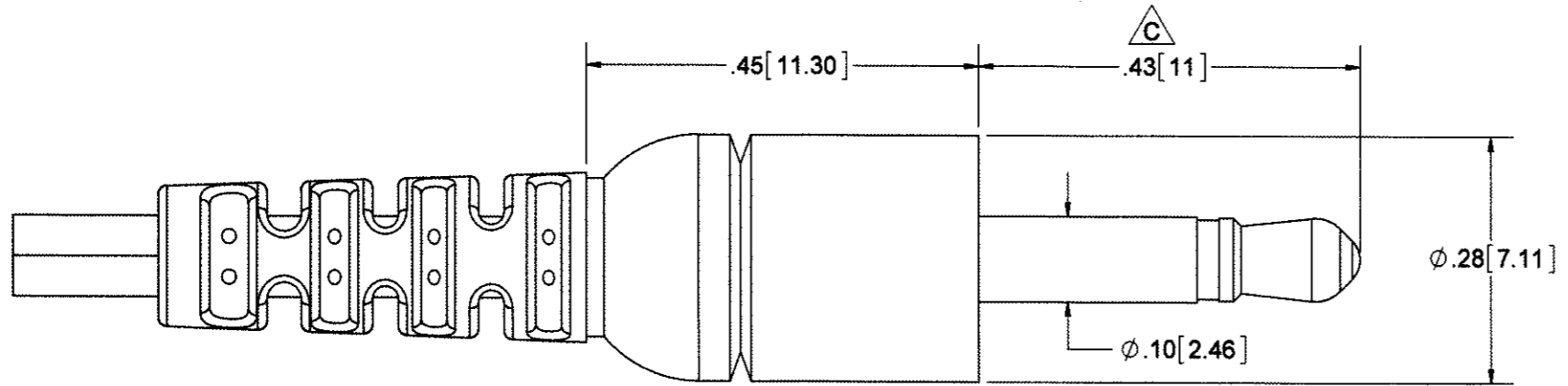
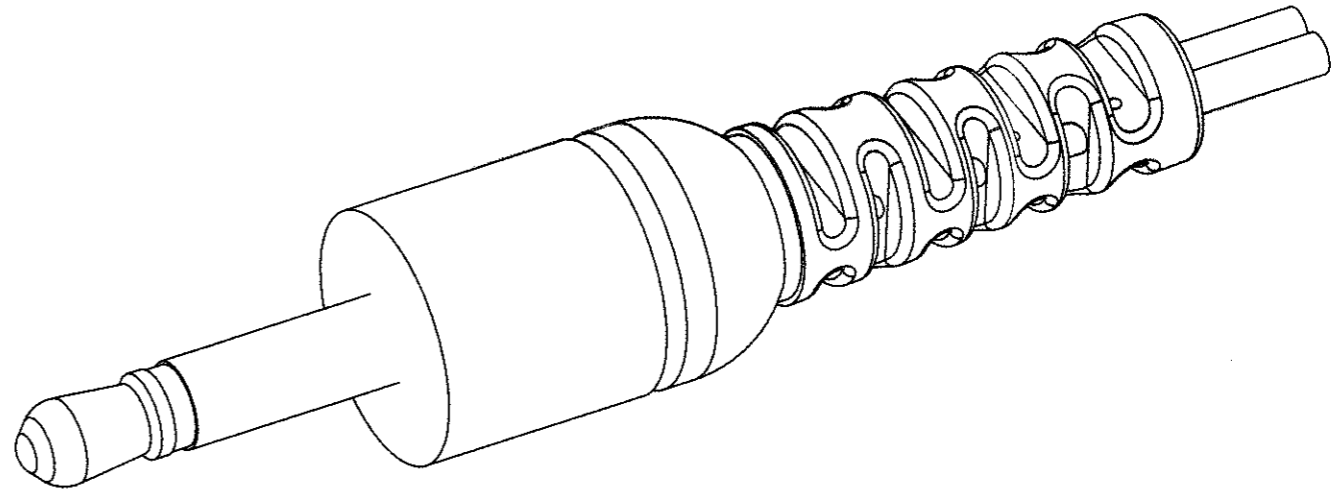


4

3

2

1



REF. MOLD DRAWING 4129

REV	DESCRIPTION	DATE	BY
C	REV PER ECO 16541 TAS 09/30/11 REDRAWN IN SOLIDWORKS	11-29-11	TAS
B	REV PER ECO 5603 GSOX 04/16/01	04/25/01	SHN
A	RELEASE PER ECO 1850 SJ 04/10/96	04/11/96	WON
REVISIONS			

TOLERANCES	
UNLESS OTHERWISE SPECIFIED ALL DIMENSIONS IN INCHES DIMENSIONS IN [] METRIC	
FRACTIONAL	±1/64
DECIMAL	.00 ±.01 [.25mm] .000 ±.005 [.127mm]
ANGULAR	±.5°

APPROVALS	DATE
DRAWN JAMISON	04/10/96
CHECKED <i>[Signature]</i>	11/15/11
PROJ ENGR	
APPROVED <i>[Signature]</i>	11/23/11
PROJECT	FSCM

PlasticsOne
 Medical Design and Manufacture
 6591 MERRIMAN ROAD, S.W., ROANOKE, VA, 24018
 PHON : 540-772-7950 FAX: 540-989-7519

TITLE: PLUG, 467, 2.5 MONO, PEAR TIP

SCALE: 5:1

SIZE: B DWG: 2460-50

REV: C SHT: 1 OF 1

THIS DRAWING CONTAINS CONFIDENTIAL AND PROPRIETARY INFORMATION AND MAY NOT BE ISSUED OR REPRODUCED, IN WHOLE, OR IN PART, WITHOUT THE EXPRESS WRITTEN PERMISSION OF PLASTICS ONE INC.

SB

D

C

B

A