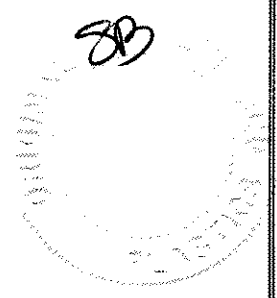
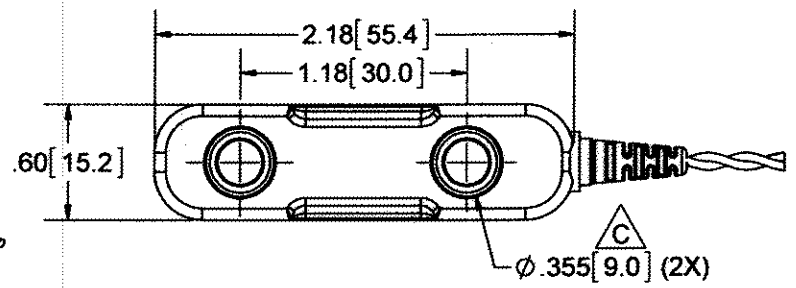
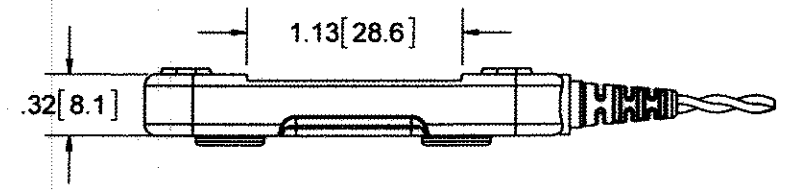
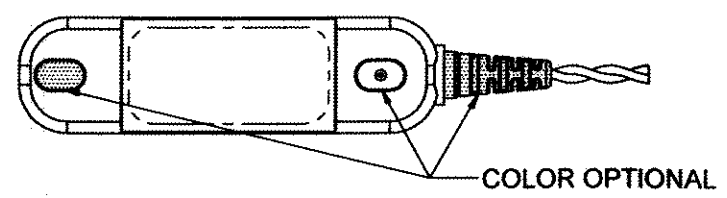
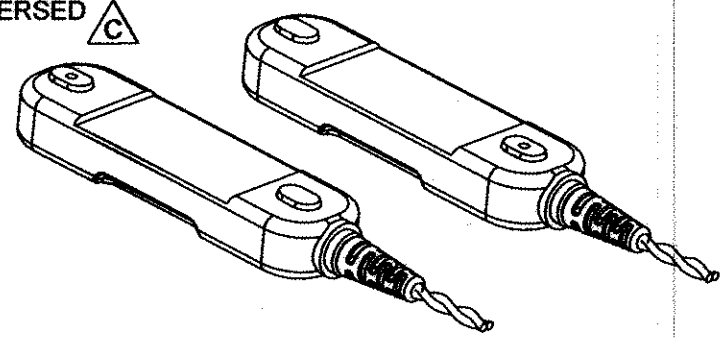


POLARITY HUBS MAY  
BE REVERSED



REV	DESCRIPTION	DATE	BY
C	REV PER ECO 19328 TAS 11/30/12 REDRAWN IN SOLIDWORKS	9-12-13	TAS
B	REV PER ECO 11695 XZ 1/26/09	2/4/09	KE
A	RELEASE PER ECO 911 BB 11/14/94	1/26/95	LL

TOLERANCES	
UNLESS OTHERWISE SPECIFIED ALL DIMENSIONS IN INCHES DIMENSIONS IN [ ] METRIC	
FRACTIONAL	±1/64
DECIMAL	.00 ±.01 [ .25mm ] .000 ±.005 [ .127mm ]
ANGULAR	±5°

APPROVALS	DATE
DRAWN B BRINDLE	3/31/94
CHECKED <i>[Signature]</i>	09/06/13
PROJ ENGR	
APPROVED <i>[Signature]</i>	9/10/13
PROJECT 1361	FSCM

<b>PlasticsOne</b>	
<b>Medical Design and Manufacture</b>	
6591 MERRIMAN ROAD, S.W., ROANOKE, VA, 24018 PHONE: 540-772-7950 FAX: 540-989-7519	
TITLE ELECTRODE, BAR, FELT TIP, 511	
SCALE	1:1
SIZE	DWG
A	36654-50
REV	SHT 1 OF 1
C	

THIS DRAWING CONTAINS CONFIDENTIAL AND PROPRIETARY INFORMATION AND MAY NOT BE ISSUED OR REPRODUCED, IN WHOLE, OR IN PART, WITHOUT THE EXPRESS WRITTEN PERMISSION OF PLASTICS ONE INC.