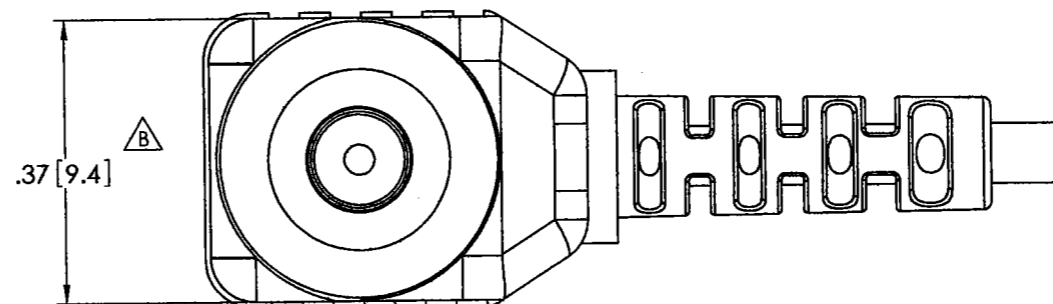
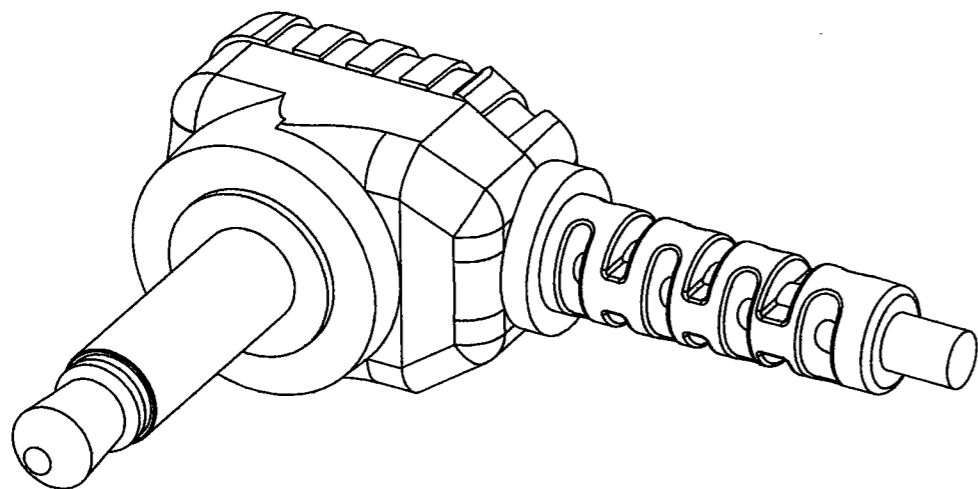


NM



THIS DRAWING CONTAINS CONFIDENTIAL AND PROPRIETARY INFORMATION AND MAY NOT BE ISSUED OR REPRODUCED, IN WHOLE, OR IN PART, WITHOUT THE EXPRESS WRITTEN PERMISSION OF PLASTICS ONE INC.

REV	DESCRIPTION	DATE	BY
B	REV PER ECO 14000/BB 07/28/10 & REDRAWN SOLIDWORKS	8/4/10	Geo
A	REL PER ECO 2209 SJ 8/19/96	8/28/96	KG
REVISIONS			

TOLERANCES UNLESS OTHERWISE SPECIFIED ALL DIMENSIONS IN INCHES DIMENSIONS IN [] METRIC	
FRACTIONAL $\pm 1/64$	DECIMAL .00 $\pm .01$ [.25mm] .000 $\pm .005$ [.127mm]
ANGULAR $\pm .5^\circ$	

APPROVALS	DATE
DRAWN JAMISON	8/19/96
CHECKED <i>[Signature]</i>	7/29/10
PROJ ENGR	
APPROVED <i>[Signature]</i>	7/30/10
PROJECT	FSCM

PlasticsOne Medical Design and Manufacture 6591 MERRIMAN ROAD, S.W., ROANOKE, VA, 24018 PHONE: 540-772-7950 FAX: 540-989-7519		TITLE PLUG, 542	
		SCALE 4:1	
SIZE B	DWG 37588-50	REV B	SHT 1 OF 1

D
—
C
—
B
—
A