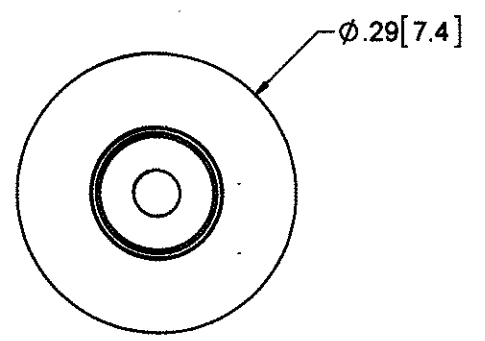
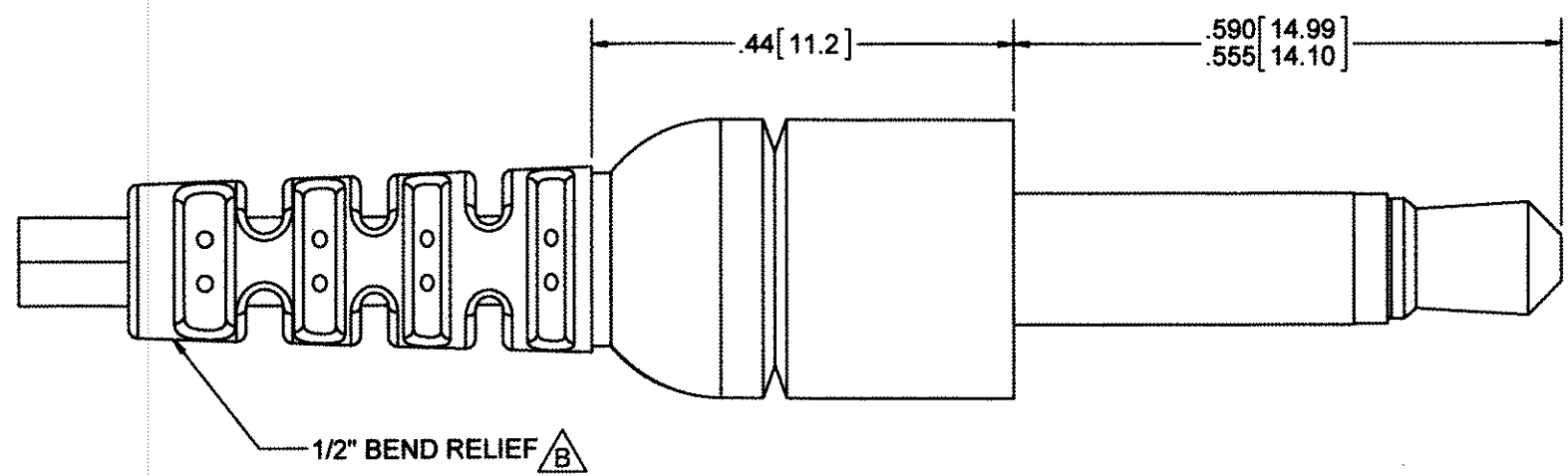
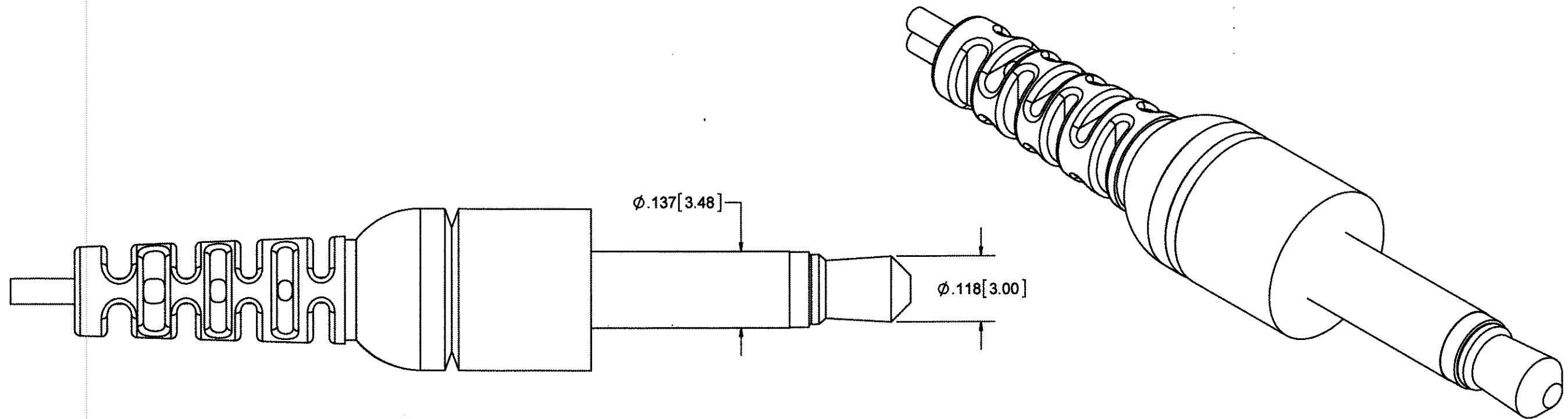


4

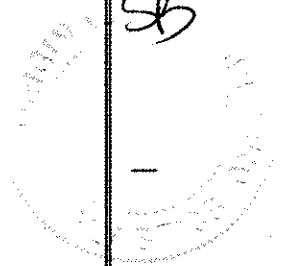
3

2

1



D
C
B
A



THIS DRAWING CONTAINS CONFIDENTIAL AND PROPRIETARY INFORMATION AND MAY NOT BE ISSUED OR REPRODUCED, IN WHOLE, OR IN PART, WITHOUT THE EXPRESS WRITTEN PERMISSION OF PLASTICS ONE INC.

REV	DESCRIPTION	DATE	BY
B	REV PER ECO 19438 TAS 12/4/12 REDRAWN IN SOLIDWORKS	1-16-13	TAS
A	REV PER ECO 2343 SJ 10/14/96	10/16/96	SJ
REVISIONS			

TOLERANCES UNLESS OTHERWISE SPECIFIED ALL DIMENSIONS IN INCHES DIMENSIONS IN [] METRIC		APPROVALS DRAWN S. JAMISON CHECKED DS PROJ ENGR APPROVED <i>K. Spady</i> PROJECT FSCM	DATE 10/14/96 1/18/13	PlasticsOne Medical Design and Manufacture 6591 MERRIMAN ROAD, S.W., ROANOKE, VA, 24018 PHONE: 540-772-7950 FAX: 540-989-7519
FRACTIONAL $\pm 1/64$ DECIMAL .00 ± 0.01 [.25mm] .000 ± 0.005 [.127mm] ANGULAR $\pm 5'$	TITLE PLUG, 566, 3.5mm, MONO PHONE	SCALE 5:1	SIZE B	
		DWG 37621-50	REV B	SHT 1 OF 1