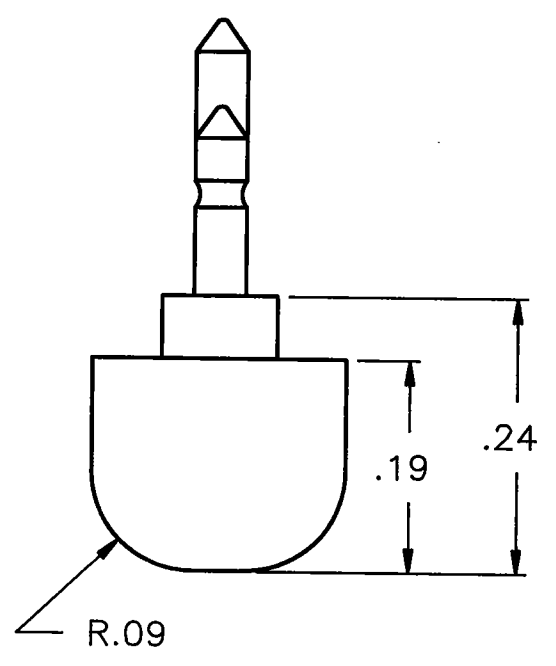
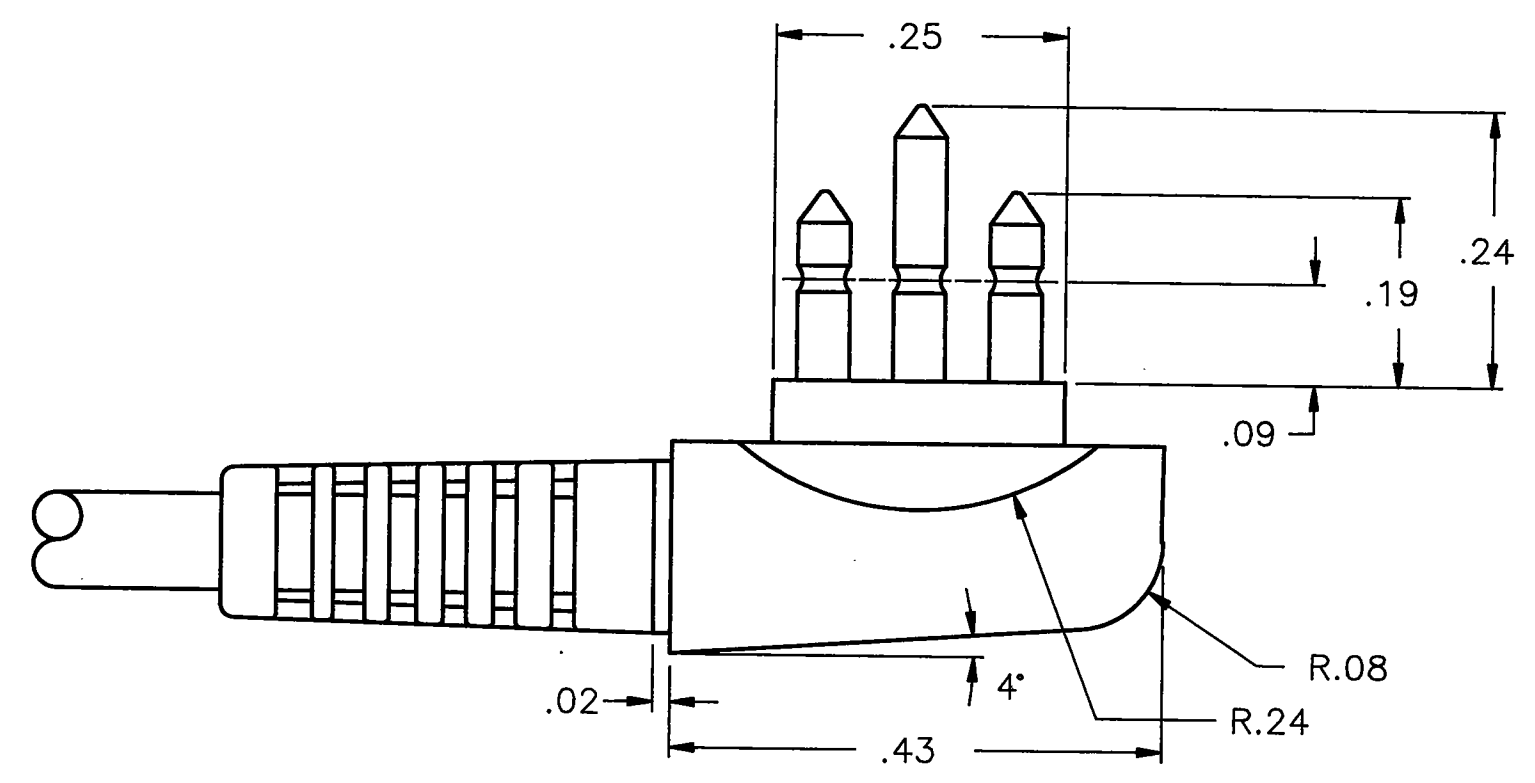
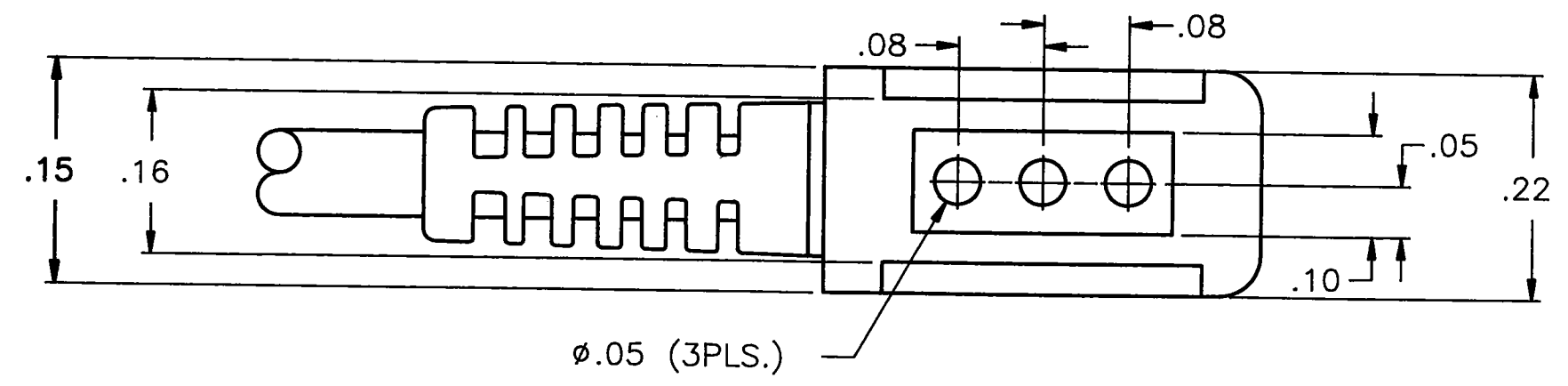


THIS DRAWING CONTAINS PROPRIETARY INFORMATION AND MAY NOT BE ISSUED OR REPRODUCED, IN WHOLE OR IN PART, WITHOUT EXPRESS WRITTEN PERMISSION OF PLASTICS ONE INC



<b>TOLERANCES</b> UNLESS OTHERWISE SPECIFIED ALL DIMENSIONS IN INCHES DIMENSIONS IN [ ] METRIC  <b>FRACTIONAL</b> $\pm 1/64$  <b>DECIMAL</b> $.00 \pm .01$ [.25mm] $.000 \pm .005$ [.127mm]  <b>ANGULAR</b> $\pm .5^\circ$	APPROVALS	DATE	<b>Plastics ONE</b> HOLDING THE FUTURE INC 6591 MERRIMAN ROAD, S.W., ROANOKE, VA, 24018 PHONE: 703-772-7950 FAX: 703-989-7915
	DRAWN GOCAN	12-08-87	
	CHECKED		
	PROJ ENGR		
	APPROVED	1-5-95	TITLE PLUG, 95R
	PROJECT	FSCM	ICN SCALE 6 - 1
			SIZE B
			DWG 2269-50
			REV B
			SHT OF 1

REV.	DESCRIPTION	DATE	BY
B	REV PER ECO 969 12/21/94 SAJ	1/5/95	[Signature]
A	TO ACAD PER ECO 451 12/29/93 WSC	1/6/94	[Signature]

THIS DRAWING CONTAINS PROPRIETARY INFORMATION AND MAY NOT BE ISSUED OR REPRODUCED, IN WHOLE OR IN PART, WITHOUT EXPRESS WRITTEN PERMISSION OF PLASTICS ONE INC