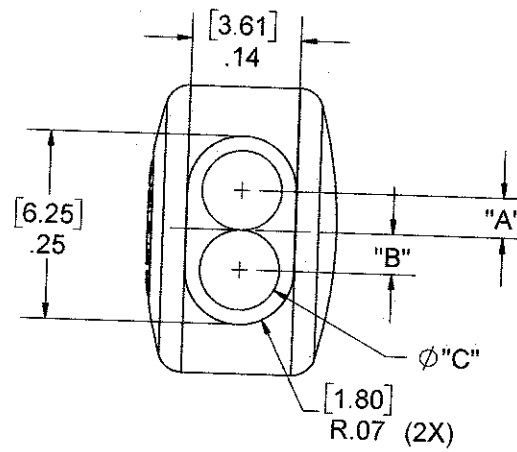
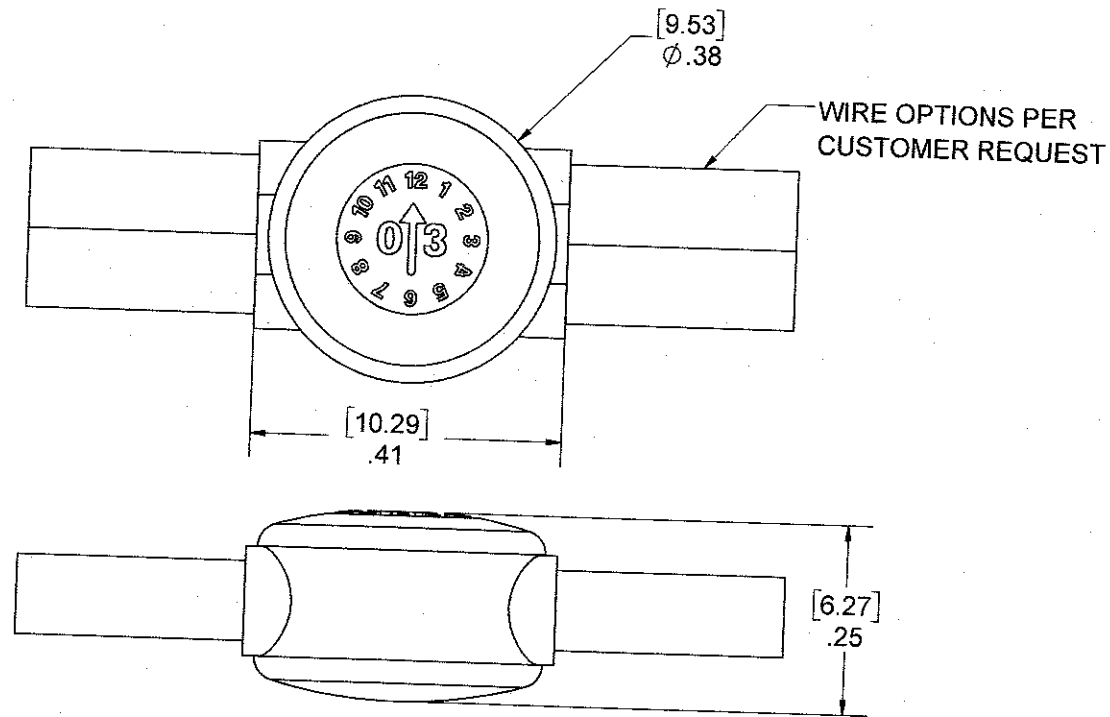


4

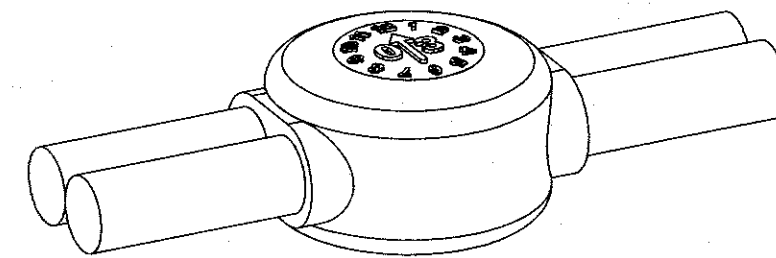
3

2

1

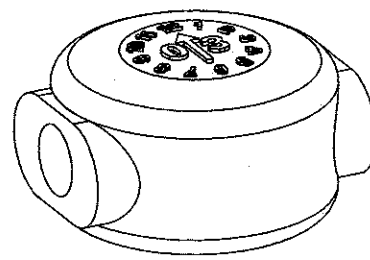
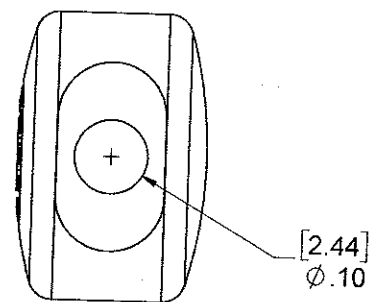
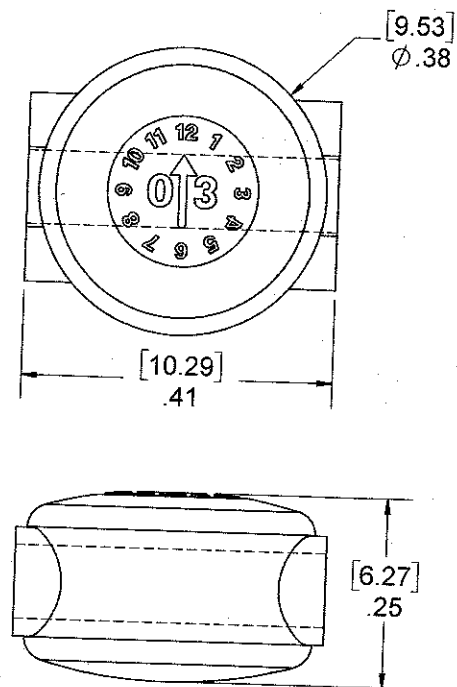


OPTION	DIM "A"	DIM "B"	DIM "C"
-01	.05 [1.32]	.05 [1.32]	.10 [2.64]
-02	.05 [1.17]	.05 [1.17]	.09 [2.34]
-03	.04 [1.02]	.04 [1.02]	.08 [2.01]
-04	.03 [.71]	.03 [.71]	.06 [1.42]

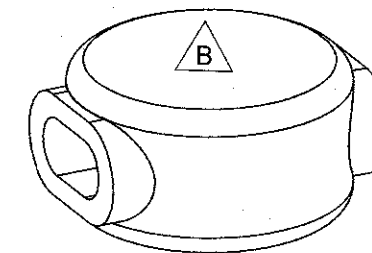
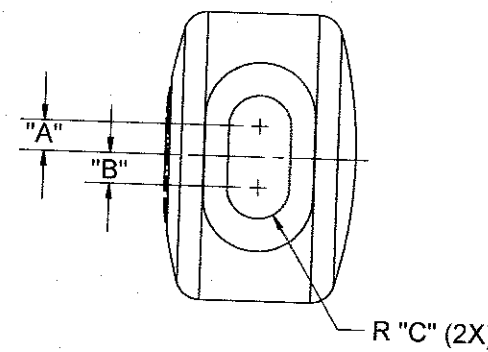


B06

NOTE:
DATE CODE OPTIONAL



B15
OPTION -01 ϕ .10



B15

OPTION	DESCR.	DIM "A"	DIM "B"	DIM "C"
-02	ϕ .08 [2.03] SLIDE	.04 [1.02]	.04 [1.02]	.04 [1.02]
-03	ϕ .11 [2.79] SLIDE	.03 [.71]	.03 [.71]	.04 [.89]

THIS DRAWING CONTAINS CONFIDENTIAL AND PROPRIETARY INFORMATION AND MAY NOT BE ISSUED OR REPRODUCED, IN WHOLE, OR IN PART, WITHOUT THE EXPRESS WRITTEN PERMISSION OF PLASTICS ONE INC.

REV	DESCRIPTION	DATE	BY
B	REV PER ECO 27342 XZ 9/7/16	9/20/16	XZ
A	RELEASE PER ECO 24113 XZ 2/19/15	3/5/15	TAB
REVISIONS			

TOLERANCES UNLESS OTHERWISE SPECIFIED ALL DIMENSIONS IN INCHES DIMENSIONS IN [] METRIC	APPROVALS DRAWN XZHOU	DATE 2/19/15	PlasticsOne Medical, Research & Audio Components 6591 MERRIMAN ROAD, S.W., ROANOKE, VA, 24018 PHONE: 540-772-7950 FAX: 540-989-7519
	CHECKED <i>K. Eganly</i>	DATE 9/7/16	
FRACTIONAL $\pm 1/64$	PROJ ENGR <i>K. Eganly</i>	APPROVED <i>K. Eganly</i>	SCALE 4:1
DECIMAL .00 \pm .01 [.25mm] .000 \pm .005 [.127mm]	PROJECT 6694	FSCM	SIZE DWG B 37468-50
ANGULAR $\pm 5^\circ$			REV B SHT 1 OF 1

JDN

A