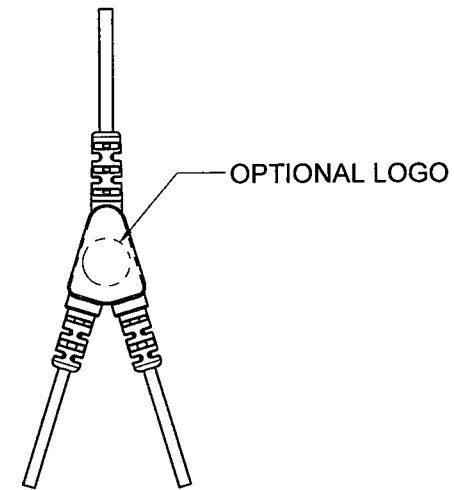
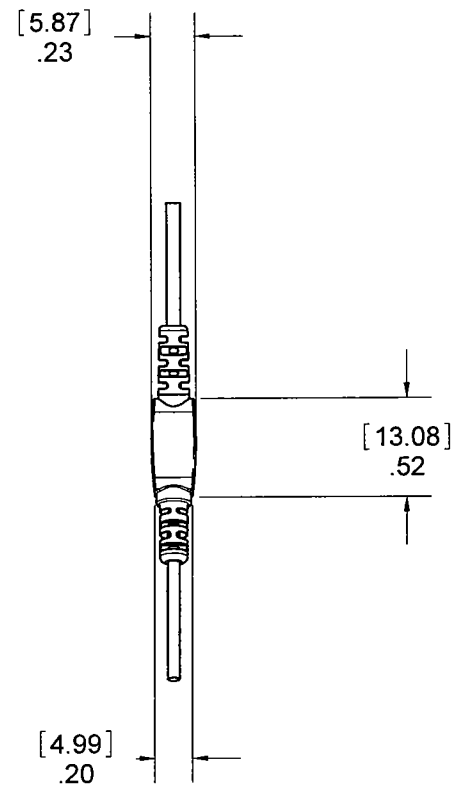
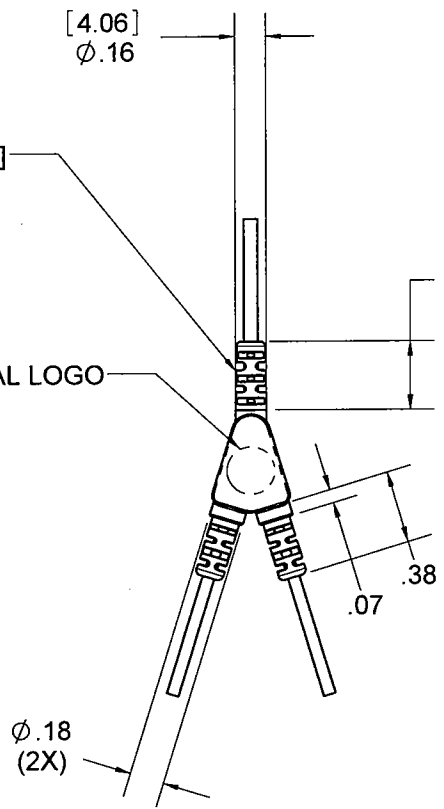


BEND RELIEFS
.068 X .375 4-WAY
[1.73 x 9.53 4-WAY]

 OPTIONAL LOGO



MATERIAL: RITEFLEX

D	REV PER ECO# 11471 WDS 10/24/08	11/12/08	MED.
C	REV PER ECO# 11318 GSOX 7/2/08	7/9/08	GS
B	REV PER ECO 9999 JAP 9/26/2006	9/27/2006	JAP
A	REL PER ECO 9672 JAP 5/24/2006	6/21/06	JAP
REV.	DESCRIPTION	APPROVAL DATE	APPROVED BY

TOLERANCES
UNLESS OTHERWISE SPECIFIED
ALL DIMENSIONS IN INCHES
DIMENSIONS IN [] METRIC

FRACTIONAL
±1/64

DECIMAL
.00 ±.01 [.25mm]
.000 ±.005 [.127mm]

ANGULAR
±.5°

APPROVALS	DATE
DRAWN J PARKER	5/24/06
CHECKED <i>[Signature]</i>	11/5/06
PROJ ENGR	
APPROVED <i>[Signature]</i>	11/12/08
PROJECT	FSCM

Plastics ONE®
HOLDING THE MEDICAL FUTURE
INC
6591 MERRIMAN ROAD, S.W., ROANOKE, VA, 24018
PHONE: 540-772-7950 FAX: 540-989-7519

TITLE
YOKE, Y-12 WITH 3/8 BEND RELIEFS

SCALE 1/1

SIZE	DWG	REV	SHT 1
A	39653-50	D	OF 1

THIS DRAWING CONTAINS CONFIDENTIAL AND PROPRIETARY INFORMATION AND MAY NOT BE ISSUED OR REPRODUCED, IN WHOLE, OR IN PART, WITHOUT THE EXPRESS WRITTEN PERMISSION OF PLASTICS ONE INC.