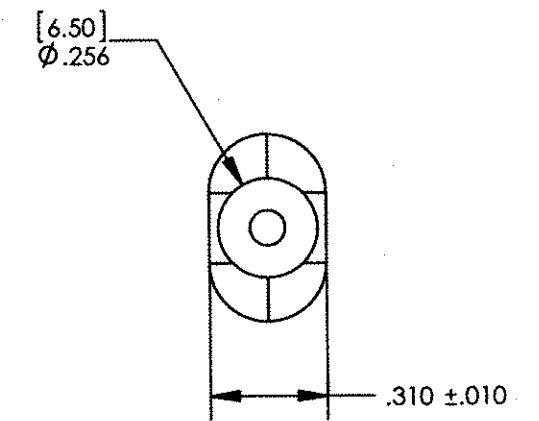
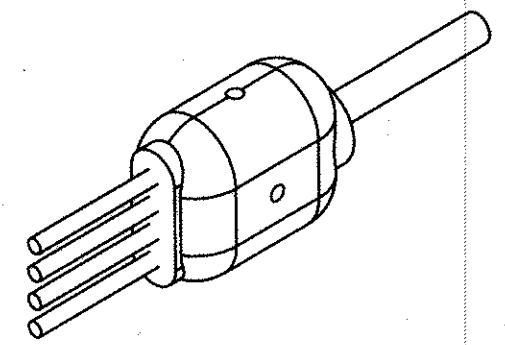
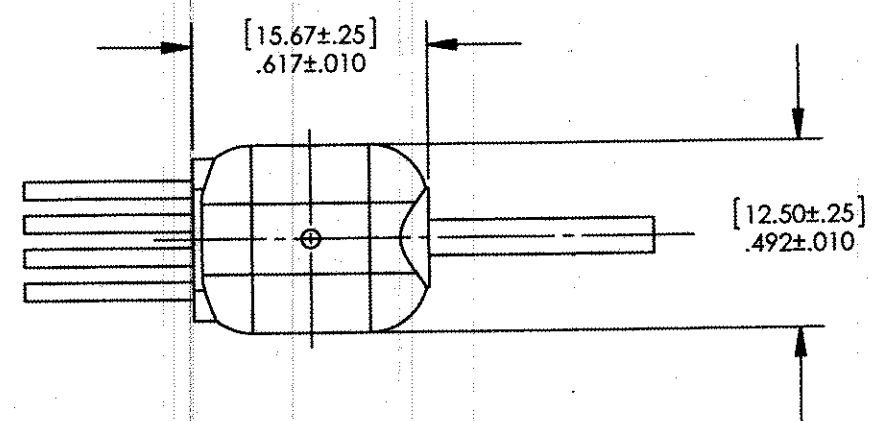
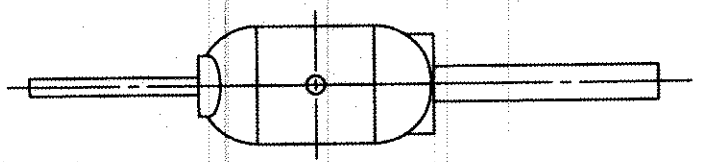
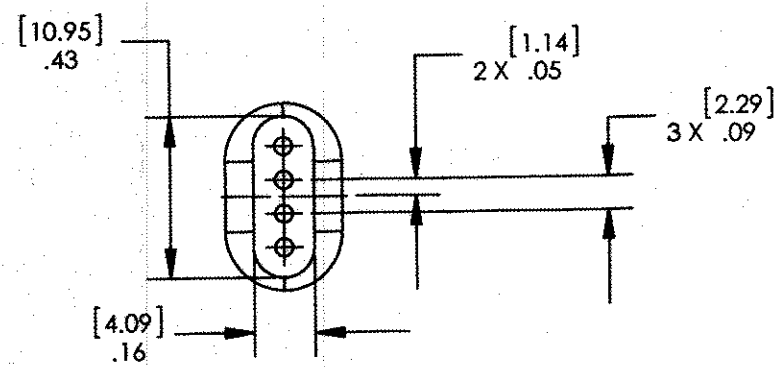


4 | | 3 | | 2 | | 1



THIS DRAWING CONTAINS CONFIDENTIAL AND PROPRIETARY INFORMATION AND MAY NOT BE ISSUED OR REPRODUCED, IN WHOLE, OR IN PART, WITHOUT THE EXPRESS WRITTEN PERMISSION OF PLASTICS ONE INC.

REV	DESCRIPTION	DATE	BY
A	RELEASE PER ECO 24113 XZ 2/19/15	3/5/15	TAB
	REVISIONS		

TOLERANCES UNLESS OTHERWISE SPECIFIED ALL DIMENSIONS IN INCHES DIMENSIONS IN [] METRIC		APPROVALS DRAWN XZHOU CHECKED PROJ ENGR APPROVED PROJECT 7755	DATE 2/19/15 02/24/15 2/24/15 FSCM	PlasticsOne Medical Design and Manufacture 6591 MERRIMAN ROAD, S.W., ROANOKE, VA, 24018 PHONE: 540-772-7950 FAX: 540-989-7519
FRACTIONAL ±1/64 DECIMAL .00 ±.005 [.127mm] .000 ±.001 [.025mm] .0000 ±.0005 [.0127mm]		TITLE BIFURCATION, Y16, 4-LEAD		
ANGULAR ±.5°		TOOLING B	MOLD CLASS 41535-50	SCALE 1:1 REV A SHT 1 OF 1

